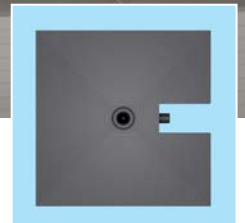
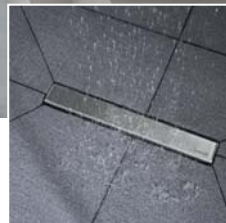


Fundo Shower Systems

Economical, safe and accessible!



Contents

04	Versatile. Reliable. Fundo.	
	▪ Classic system	6
	▪ Complete system	7
	▪ The world of the modular wedi system	9
10	Fundo floor elements	
	Classic systems	
	▪ Fundo Primo	13
	▪ Fundo Ligno	17
	▪ Fundo Riolito neo	21
	▪ Fundo Riolito	25
	▪ Fundo Riofino	29
	▪ Fundo design showers	33
36	Fundo floor elements	
	Complete systems	
	▪ Fundo Integro	37
	▪ Fundo Plano	41
	▪ Fundo Plano Linea	45
48	Accessories	
	▪ Sealing and installation materials	50
	▪ Expansion elements	56
64	Technology	
	▪ Fundo floor element technical drawings	68
	▪ Fundo floor element technical data	78



Versatile. Reliable. Fundo.

Floor-level showers for the highest demand

When selecting flush-to-floor showers, the most sought-after characteristics are quality, reliability, functionality and design whilst also offering a straightforward, safe and quick installation. These requirements form the basis of the wedi Fundo shower systems.

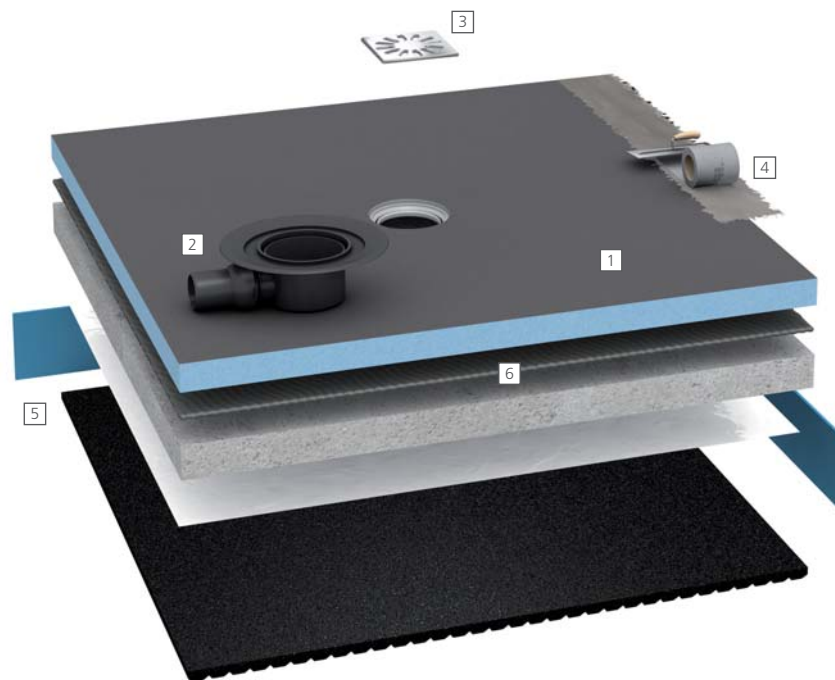
Whether a conventional floor element or a complete system with integrated technology with either classic point drainage or elegant linear drainage – whatever the requirement is, the right floor element can be found in the Fundo series: 10 designs, 3 different drain locations and numerous sizes to meet the high demand of planners, contractors and installers.



Classic system

The conventional floor-level shower

The classic system consists of a floor-level shower element with either point or linear drainage and a corresponding drain. There are numerous drain versions available to choose from to suit all requirements, and while the scope of delivery includes a standard stainless steel grate for the point drainage, channel covers for the linear drainage must be purchased individually of which there are 3 versions to choose from. High-quality designer grates for point drainage can also be found and purchased separately from the wedi product range. The entire perimeter of the shower element is sealed with the Fundo sealing set consisting of wedi 520 waterproof membrane, wedi Tools sealing tape and wedi Tools sealing corners.

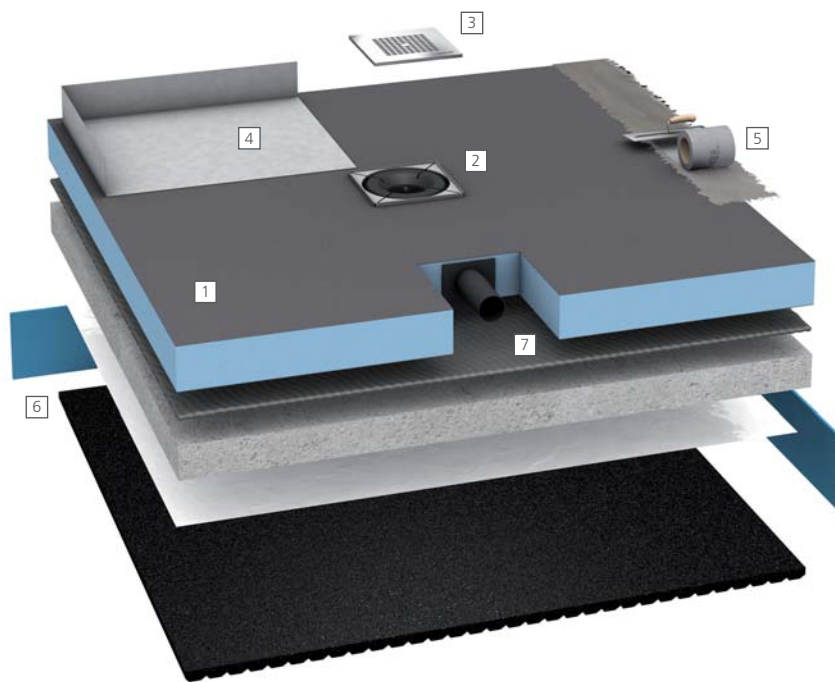


- 1 **Floor element** ▪ e.g. Fundo Primo with classic point drainage
- 2 **Drainage** ▪ e.g. the Fundo drain DN 50, horizontal
- 3 **Drain grate** ▪ e.g. the standard grate, which is included in the scope of delivery of the Fundo drain
- 4 **Seal** ▪ e.g. with the wedi Fundo sealing set, consisting of wedi 520, wedi Tools sealing tape and wedi Tools sealing corners
- 5 **Sound insulation** ▪ e.g. with the combination of wedi edge insulation strips, the wedi Nonstep Pro sound-insulation mat and PE film
- 6 **Tile adhesive** ▪ for full-surface bonding of the Fundo elements to the surface

Complete system

Floor-level shower with integrated drainage

The complete system is also available with either point or linear drainage, except that the drainage here is integrated inside the shower element during the manufacturing process. Standard stainless steel drain covers are included in the scope of delivery, in this case for both point and linear designs. The entire perimeter of the shower element is sealed with the Fundo sealing set consisting of wedi 520 waterproof membrane, wedi Tools sealing tape and wedi Tools sealing corners.



- 1 **Floor element** ▪ e.g. Fundo Plano, complete system with integrated drainage
- 2 **Drainage system** ▪ the drainage is factory integrated into the Fundo Plano ground element
- 3 **Drain grate** ▪ a standard grate is included with delivery of the Fundo Plano
- 4 **Sealing sheet** ▪ especially for sealing the pipe connection (included in the scope of delivery)
- 5 **Seal** ▪ e.g. with the wedi Fundo sealing set, consisting of wedi 520, wedi Tools sealing tape and wedi Tools sealing corners
- 6 **Sound insulation** ▪ e.g. with the combination of wedi edge insulation strips, the wedi Nonstep Pro sound-insulation mat and PE film
- 7 **Tile adhesive** ▪ for full-surface bonding of the Fundo elements to the surface



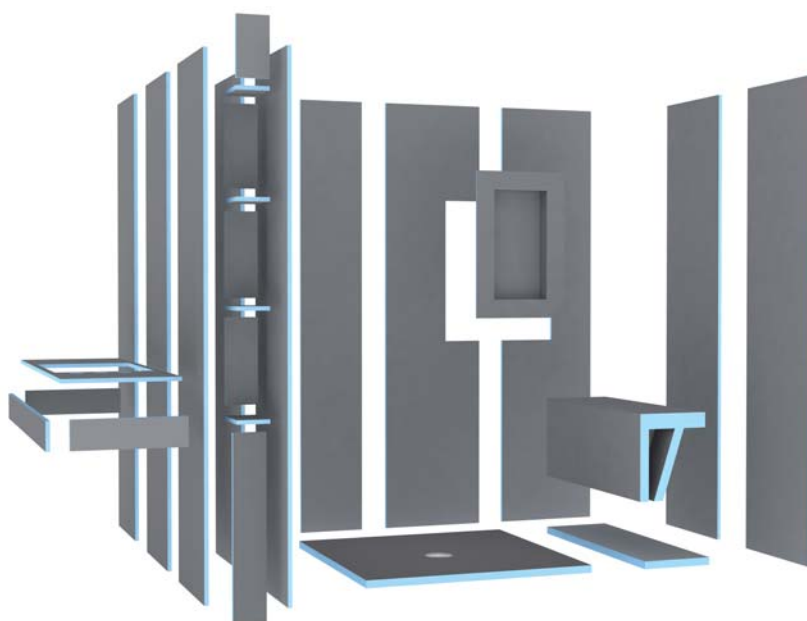
The world of the modular wedi system

More than just a level-access shower

The wedi Fundo range offers a large selection of high-quality floor-level shower elements. However the modern shower consists of much more than just the floor element and to fulfil this demand, the modular wedi system opens up endless possibilities in expanding the shower with aesthetic and practical elements.

Whether it's a comfortable bench for relaxation in the shower, a practical niche as a hygienic storage space, a stable partition wall with cleverly integrated shelving or a tailor-made wash stand - the wedi product range with its numerous compatible interlocking elements and accessories offers a full system solution with unrivalled system security, a particularly straightforward and easy installation for direct tiling and reduced overall processing time.

Design the whole bathroom so it reflects its owner's individuality. Choose the wedi system solution for a quality finish offering peace of mind for years to come: a whole bathroom from a single source with a 10 year product quality guarantee and a 100 % watertight finish – signed and sealed by wedi.



Extend a small shower space into a comfortable complete solution.

You can find all the details on page 48.

wedi Fundo: Solid foundations, for well-founded reasons



100 % waterproof
to the core



Wide variety of designs,
functions and sizes



Customisable without
invalidation of warranty



Installation benefits
save time and money



Precise predefined
slope



General building authority
test certificate



Accessible and able to take
the load of a wheelchair



Adjustable height for a
variety of tile thicknesses



Particularly robust
substructure elements



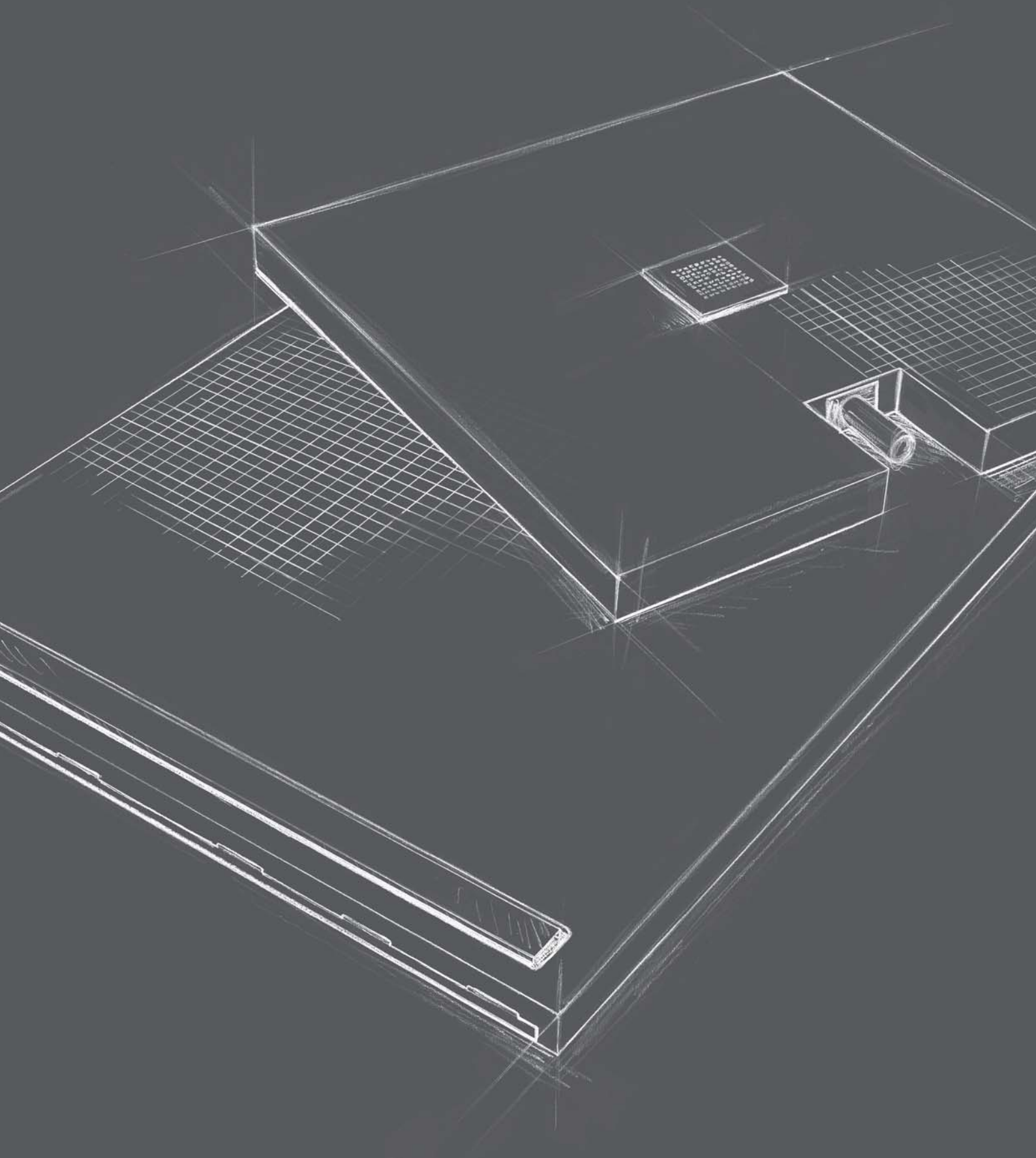
Extremely
lightweight



High system security with
manufacturer's warranty



Custom models
possible



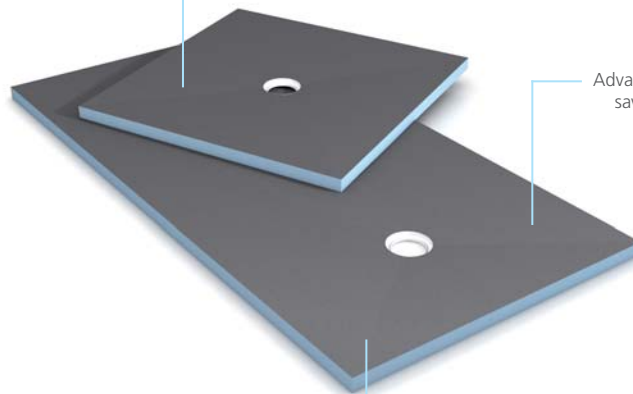


Fundo Primo

Classic point drainage

The founding member of the Fundo family offers floor elements in a huge range of sizes and with 3 different drain locations: central, corner or offset. Whether square or rectangular, positioned in the centre or the corner of the room, they offer an ideal solution for any space and can easily be extended with the use of the corresponding Fundo sloping board or made into a complete shower area with the aid of wedi building boards.

Exactly uniform
predefined gradient



Advantages for the user
save time and money

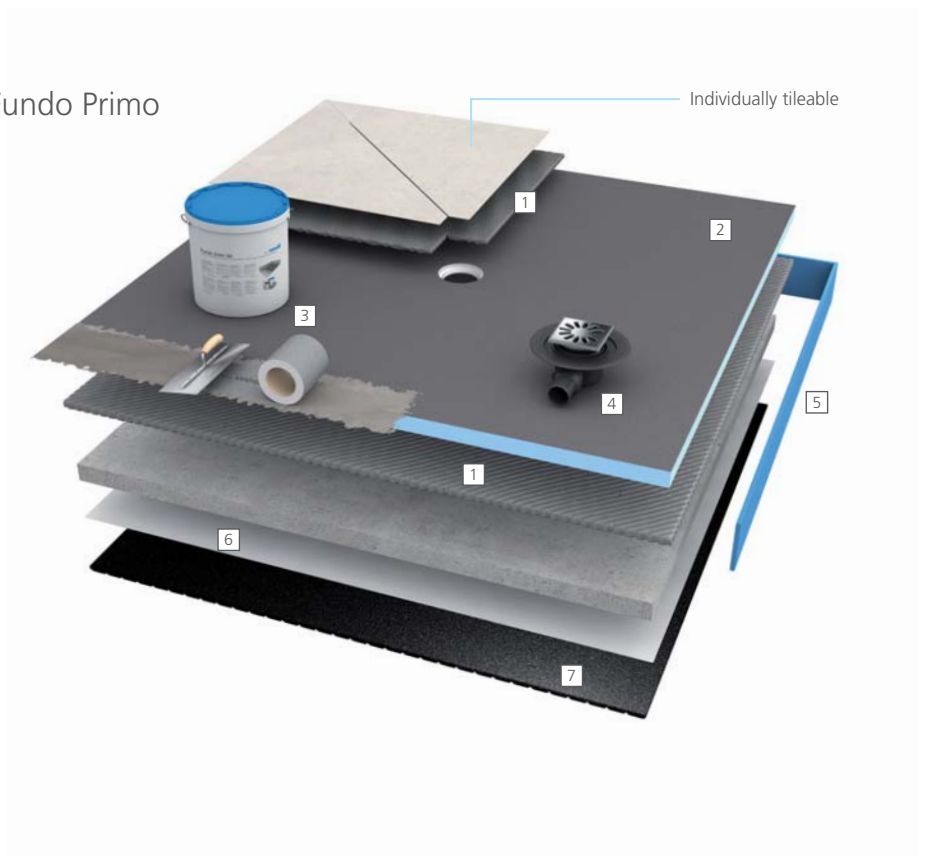
Huge variety of design,
function and format



System construction Fundo Primo

Products used

- 1 wedi 320, tile adhesive
- 2 Fundo Primo
- 3 wedi Fundo sealing set
- 4 wedi Fundo drain
- 5 wedi edge insulation strips
- 6 PE film
- 7 wedi Nonstep Pro



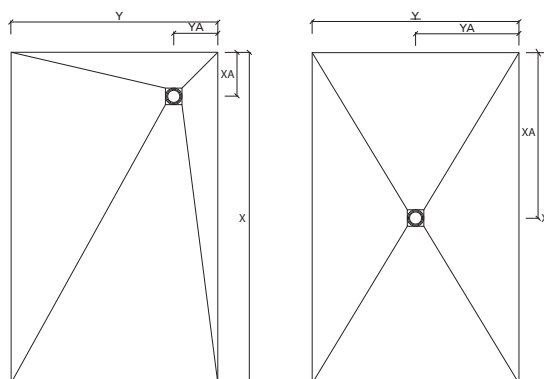
Article numbers and versions

Description	Length x Width x Thickness	Packing unit	Order no.
Fundo Primo, floor element square, central drain	900 x 900 x 40 mm	10 units	07-37-35/170
Fundo Primo, floor element square, central drain	1000 x 1000 x 40 mm	10 units	07-37-35/131
Fundo Primo, floor element square, central drain	1200 x 1200 x 40 mm	10 units	07-37-35/171
Fundo Primo, floor element square, central drain	1500 x 1500 x 40 mm	10 units	07-37-35/175
Fundo Primo, floor element square, corner drain	900 x 900 x 40 mm	10 units	07-37-36/170
Fundo Primo, floor element square, corner drain	1000 x 1000 x 40 mm	10 units	07-37-35/531
Fundo Primo, floor element square, corner drain	1200 x 1200 x 40 mm	10 units	07-37-36/171
Fundo Primo, floor element square, corner drain	1500 x 1500 x 40 mm	10 units	07-37-36/175
Fundo Primo, floor element rectangular, central drain	900 x 750 x 40 mm	10 units	07-37-35/176
Fundo Primo, floor element rectangular, central drain	1200 x 900 x 40 mm	10 units	07-37-35/174
Fundo Primo, floor element rectangular, central drain	1400 x 900 x 40 mm	10 units	07-37-35/196
Fundo Primo, floor element rectangular, central drain	1500 x 900 x 40 mm	10 units	07-37-36/120
Fundo Primo, floor element rectangular, central drain	1800 x 900 x 40 mm	10 units	07-37-35/580
Fundo Primo, floor element rectangular, central drain	1400 x 1000 x 40 mm	10 units	07-37-35/198
Fundo Primo, floor element rectangular, central drain	1500 x 1000 x 40 mm	10 units	07-37-36/121
Fundo Primo, floor element rectangular, offset drain	1200 x 900 x 40 mm	10 units	07-37-36/174
Fundo Primo, floor element rectangular, offset drain	1400 x 900 x 40 mm	10 units	07-37-35/150
Fundo Primo, floor element rectangular, offset drain	1600 x 900 x 40 mm	10 units	07-37-35/151
Fundo Primo, floor element rectangular, offset drain	1800 x 900 x 40 mm	10 units	07-37-35/180
Fundo Primo, floor element rectangular, offset drain	1600 x 1000 x 40 mm	10 units	07-37-35/152

Fundo Primo ■ Special floor element

Description	Dimensions	Restrictions	Order no.
Fundo Primo bespoke floor element, square or rectangular, one piece with central, corner or offset drain position	Length X: max. 2400 mm Width Y: max. 1500 mm Thickness: 40 mm + 50 mm	Dimensions YA = min. 200 mm XA = min. 200 mm	07-37-14/099

i Delivery time ex-works. 7 days after final technical clearance and release of order.
(Only applies to orders of 1 to 3 units; larger numbers of units require an individual check).

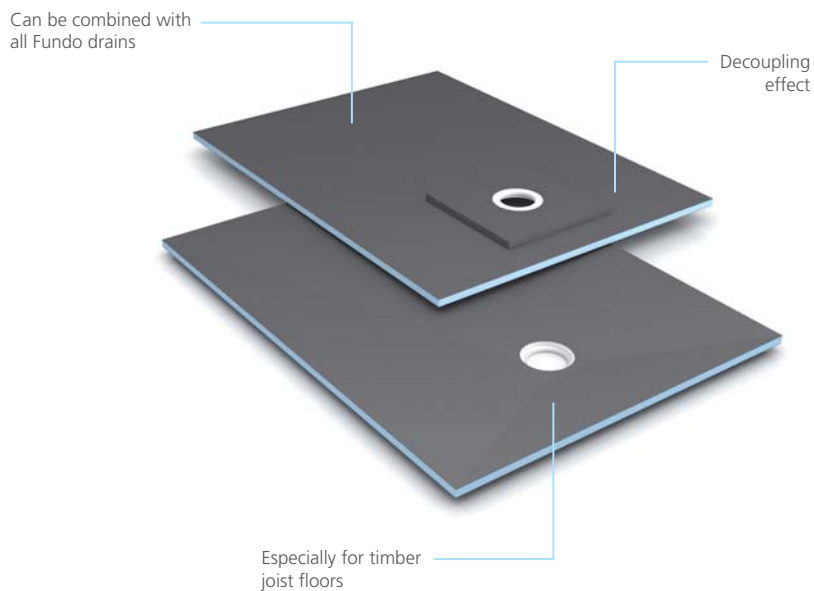




Fundo Ligno

Point drainage for suspended timber floors

The Fundo Ligno shower element with outer edges of just 20 mm has been specially developed for use in existing and new builds with wooden floors. In contrast to traditional shower elements, the wedi Fundo Ligno is adapted to the covering wood layer and as a result can be integrated into it wonderfully without cutting into floor joists or building up further height. However it can also be installed on top of floorboards in conjunction with wedi building boards to level the height on site.

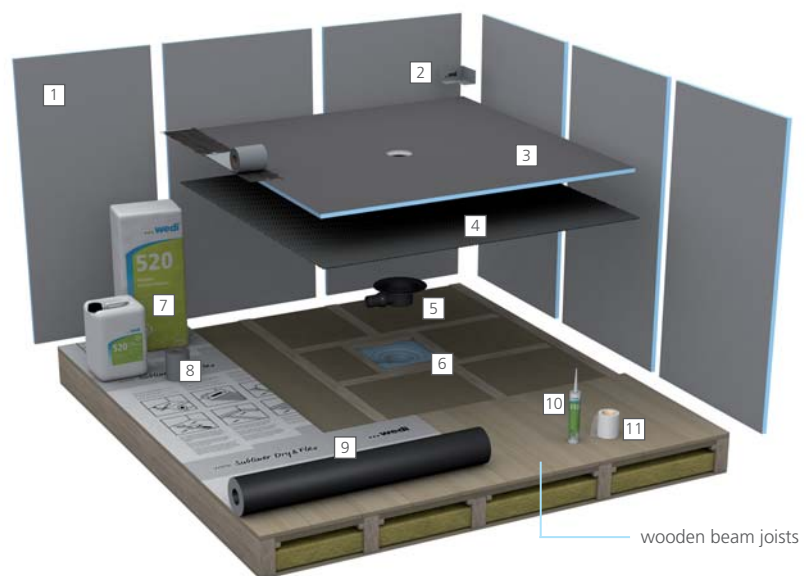




System construction Fundo Ligno

Products used

- 1 wedi building boards
- 2 wedi Tools sealing corners
- 3 Fundo Ligno
- 4 wedi 320, tile adhesive
- 5 wedi Fundo drain
- 6 Fundo Ligno substructure element
- 7 wedi 520, flexible sealant
- 8 wedi Tools sealing tape
- 9 wedi Subliner Dry & Flex
- 10 wedi 610, adhesive sealant
- 11 wedi Tools joint reinforcement tape



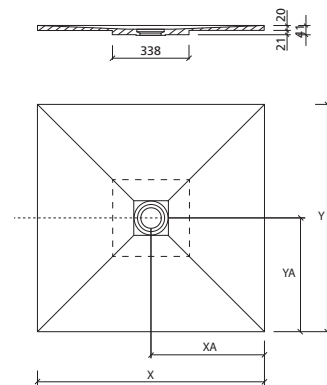
Article numbers and versions

Description	Length × Width × Thickness	Packing unit	Order no.
Fundo Ligno, floor element square, central drain	900 × 900 × 20/41 mm	10 units	07-37-32/011
Fundo Ligno, floor element square, central drain	1200 × 1200 × 20/41 mm	10 units	07-37-32/012
Fundo Ligno, floor element square, central drain	1500 × 1500 × 20/41 mm	10 units	07-37-32/013
Fundo Ligno, floor element square, corner drain	900 × 900 × 20/41 mm	10 units	07-37-32/021
Fundo Ligno, floor element square, corner drain	1200 × 1200 × 20/41 mm	10 units	07-37-32/023
Fundo Ligno, floor element rectangular, offset drain	1200 × 900 × 20/41 mm	10 units	07-37-32/022
Fundo Ligno, floor element rectangular, offset drain	1600 × 900 × 20/41 mm	10 units	07-37-32/024

Fundo Ligno ■ Special floor element

Description	Dimensions	Order no.
Fundo Ligno bespoke floor element, square or rectangular, one piece with central drain position	Length X: min. 800 mm/max. 1600 mm Width Y: min. 800 mm/max. 1550 mm Thickness: 20/41 mm	07-37-14/799
Fundo Ligno bespoke floor element, square or rectangular, one piece with corner drain position	Length X: min. 800 mm/max. 1600 mm Width Y: min. 800 mm/max. 1550 mm Thickness: 20/41 mm	07-37-14/799
Fundo Ligno bespoke floor element, square or rectangular, one piece with offset drain position	Length X: min. 800 mm/max. 1600 mm Width Y: min. 800 mm/max. 1550 mm Thickness: 20/41 mm	07-37-14/799

- i** Delivery time ex-works. 14 days after final technical clearance and release of order.
(Only applies to orders of 1 to 3 units; larger numbers of units require an individual check).



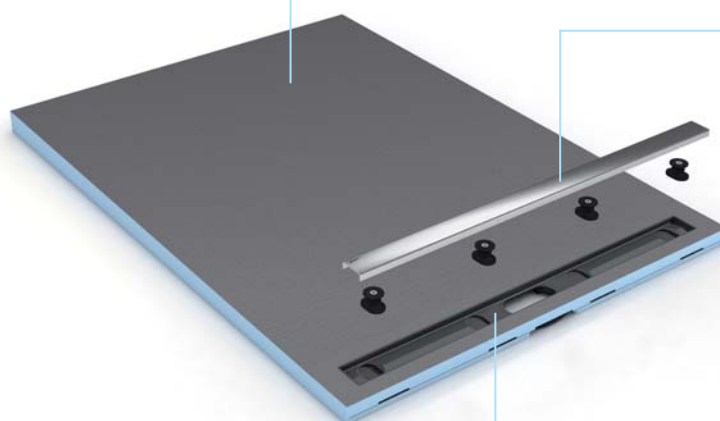


Fundo Riolito neo

Close-to-wall linear drainage

The level-access Fundo Riolito neo features a linear drainage channel right next to the wall in various lengths from 300 mm to 1100 mm. Its corresponding channel covers are equipped with height-adjustable feet to suit different tile sizes and its drainage swivels through 360 degree offering further flexibility when connecting to existing pipework. Furthermore, it can easily be extended with the use of the corresponding Fundo sloping board or made into a complete shower area with the aid of wedi building boards. Great flexibility on site, so that your design possibilities are endless!

Several format configurations
with long and short channels



Channel cover
with integrated
height adjustment

Linear drainage extremely
close to the wall



System construction Fundo Riolito neo

Products used

- 1 wedi building boards
- 2 wedi Fundo channel cover
- 3 Fundo Riolito neo
- 4 wedi Fundo sealing set
- 5 wedi Fundo channel drain
- 6 wedi 320, tile adhesive
- 7 wedi edge insulation strips
- 8 PE film
- 9 wedi Nonstep Pro
- 10 wedi 610, adhesive sealant



Article numbers and versions

Description	Length x Width x Thickness	Channel length	Packing unit	Order no.
Fundo Riolito neo, floor element with channel drain, square	900 x 900 x 50 mm	800 mm ⊙	10 units	07-51-00/003
Fundo Riolito neo, floor element with channel drain, square	1000 x 1000 x 50 mm	800 mm ⊙	10 units	07-51-00/032
Fundo Riolito neo, floor element with channel drain, square	1200 x 1200 x 50 mm	1100 mm	10 units	07-51-00/010
Fundo Riolito neo, floor element with short channel drain, square	900 x 900 x 50 mm	300 mm	10 units	07-51-00/031
Fundo Riolito neo, floor element with channel drain, square	1200 x 800 x 50 mm	700 mm ⊕	10 units	07-51-00/001
Fundo Riolito neo, floor element with channel drain, square	1200 x 900 x 50 mm	800 mm ⊙	10 units	07-51-00/004
Fundo Riolito neo, floor element with channel drain, square	1400 x 900 x 50 mm	700 mm ⊕	10 units	07-51-00/033
Fundo Riolito neo, floor element with channel drain, square	1800 x 900 x 60 mm	800 mm ⊙	10 units	07-51-00/005
Fundo Riolito neo, floor element with channel drain, square	1200 x 1000 x 50 mm	900 mm ⊙	10 units	07-51-00/008
Fundo Riolito neo, floor element with channel drain, square	1600 x 1000 x 50 mm	800 mm ⊙	10 units	07-51-00/034

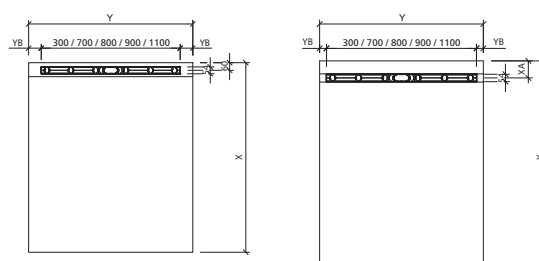
i You can order the Fundo Discreto element for an optical wall drain as an optional feature. (page 54 and 59).

The figures ⊕, ⊙ and ⊙ mark the matching combinations with Fundo Discreto.

Fundo Riolito neo ■ Special floor element

Description	Dimensions	Restrictions	Order no.
Fundo bespoke floor element with channel drain close to wall, 1-sided slope	Length X: max. 1600 mm Width Y: max. 1500 mm Thickness: 50 mm	Dimension YB = min. 30 mm, max. 300 mm	07-37-16/199
Fundo bespoke floor element with channel drain near to wall, 2-sided slope	Length X: max. 1650 mm Width Y: max. 1500 mm Thickness: 50 mm	Dimensions YB = min. 30 mm, max. 300 mm XA = min. 125 mm	07-37-16/199

i Delivery can take approximately 7 days after receipt of order and confirmation of technical specification. (Only applies to orders of 1 to 3 units; larger numbers of units require an individual check)





Fundo Riolito

Premium linear drainage

As the oldest member of the Fundo family with linear drainage, the Fundo Riolito captivates with its simple elegance – featuring a near-to-wall linear drainage channel, it now shares the range of height-adjustable channel covers and new 360 degree channel drains with its younger counterpart the Fundo Riolito neo, providing great flexibility on site. Furthermore, it can easily be extended with the use of the corresponding Fundo sloping board or made into a complete shower area with the aid of wedi building boards.

Leading solution for accessible bathrooms

Simpler and quicker installation

No risk when fitting due to high degree of system reliability

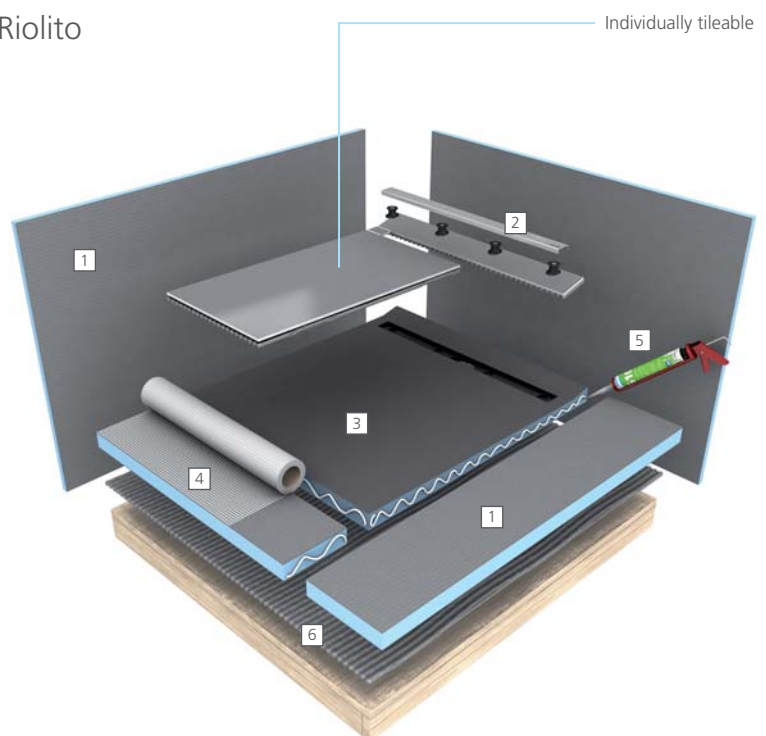




System construction Fundo Riolito

Products used

- 1 wedi building boards
- 2 wedi Fundo channel cover
- 3 Fundo Riolito
- 4 wedi Tools joint reinforcement tape, self-adhesive
- 5 wedi 610, adhesive sealant
- 6 wedi 320, tile adhesive



Article numbers and versions

Description	Length x Width x Thickness	Channel length	Packing unit	Order no.
Fundo Riolito, floor element with channel drain, square	900 x 900 x 50 mm	800 mm ⊗	10 units	07-37-37/303
Fundo Riolito, floor element with channel drain, square	1000 x 1000 x 50 mm	800 mm ⊗	10 units	07-37-37/308
Fundo Riolito, floor element with channel drain, square	1200 x 1200 x 50 mm	1100 mm	10 units	07-37-37/304
Fundo Riolito, floor element with channel drain, square	900 x 900 x 50 mm	300 mm	10 units	07-37-37/307
Fundo Riolito, floor element with channel drain, rectangular	1200 x 800 x 50 mm	700 mm ⊕	10 units	07-37-37/301
Fundo Riolito, floor element with channel drain, rectangular	1200 x 900 x 50 mm	800 mm ⊗	10 units	07-37-37/305
Fundo Riolito, floor element with channel drain, rectangular	1400 x 900 x 50 mm	700 mm ⊕	10 units	07-37-37/309
Fundo Riolito, floor element with channel drain, rectangular	1800 x 900 x 60 mm	800 mm ⊗	10 units	07-37-37/306
Fundo Riolito, floor element with channel drain, rectangular	1200 x 1000 x 50 mm	900 mm ⊗	10 units	07-37-37/302
Fundo Riolito, floor element with channel drain, rectangular	1600 x 1000 x 50 mm	800 mm ⊗	10 units	07-37-37/310

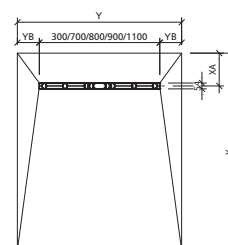
i You can order the Fundo Discreto element for an optical wall drain as an optional feature. (page 54 and 59).

The figures ⊕, ⊗ and ⊙ mark the matching combinations with Fundo Discreto.

Fundo Riolito ■ Special floor element

Description	Dimensions	Restrictions	Order no.
Fundo bespoke floor element with channel drain near to wall, 4-sided slope	Length X: max. 1800 mm Width Y: max. 1500 mm Thickness: 50 mm	Dimensions YB = min. 200 mm XA = min. 226 mm	07-37-16/199

i Delivery can take approximately 7 days after receipt of order and confirmation of technical specification. (Only applies to orders of 1 to 3 units; larger numbers of units require an individual check)

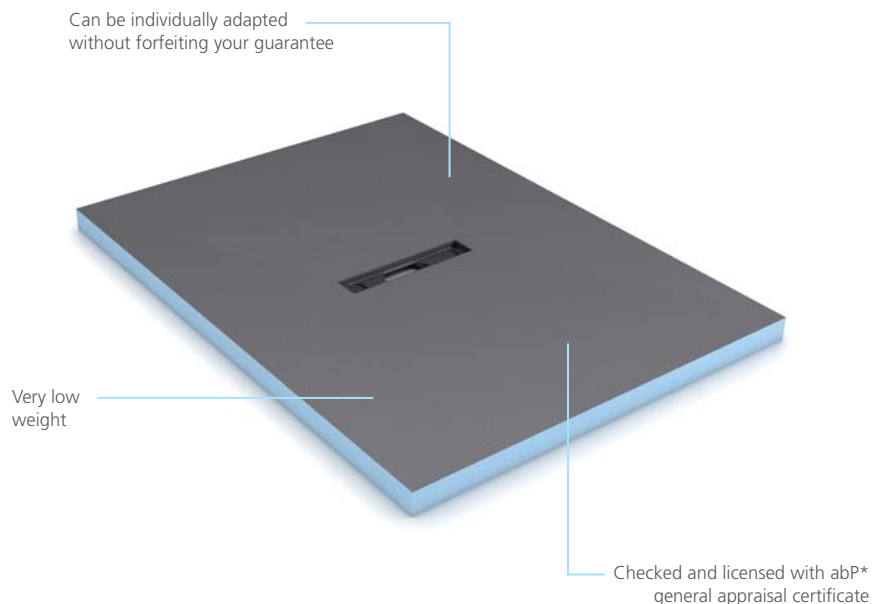




Fundo Riofino

Centralised linear drainage

A different kind of linear drainage – streamlined and centred. Although it does not offer various channel lengths (300 mm as standard), the Fundo Riofino shower element impresses with its extraordinary design and sophisticated finish. It now shares the range of height-adjustable channel covers and new 360 degree channel drains with the rest of the wedi Fundo linear shower range providing great flexibility on site. Furthermore, it can easily be extended with the use of the corresponding Fundo sloping board or made into a complete shower area with the aid of wedi building boards.



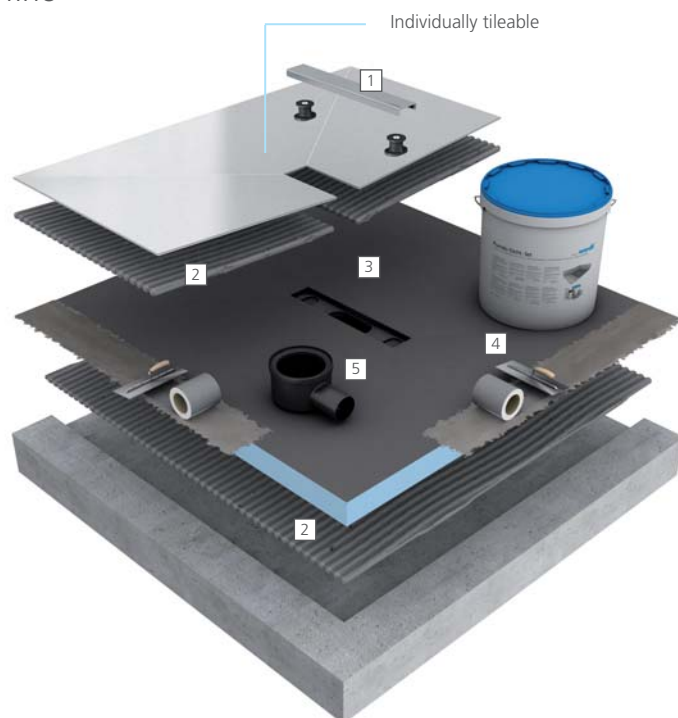
* abP (Allgemeines bauaufsichtliches Prüfzeugnis)
German General Building Inspection Certificate for tile
and board coverings, also in areas which bear heavy loads



System construction Fundo Riofino

Products used

- 1 wedi Fundo channel cover
- 2 wedi 320, tile adhesive
- 3 Fundo Riofino
- 4 wedi Fundo sealing set
- 5 wedi Fundo channel drain



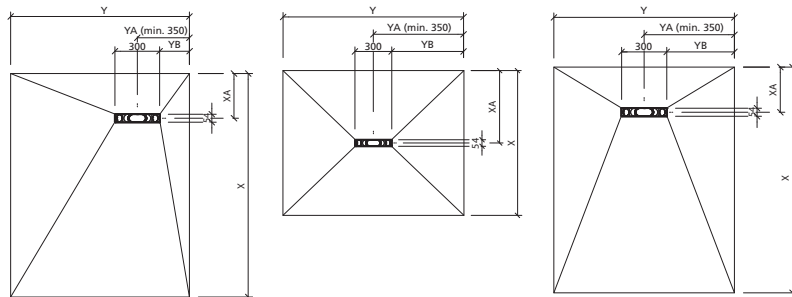
Article numbers and versions

Description	Length x Width x Thickness	Channel length	Packing unit	Order no.
Fundo Riofino, floor element, central channel drain, square	900 x 900 x 50 mm	300 mm	10 units	07-37-37/312
Fundo Riofino, floor element, central channel drain, square	1000 x 1000 x 50 mm	300 mm	10 units	07-37-37/311
Fundo Riofino, floor element, central channel drain, square	1200 x 1200 x 50 mm	300 mm	10 units	07-37-37/313
Fundo Riofino, floor element, central channel drain, rectangular	1200 x 900 x 50 mm	300 mm	10 units	07-37-37/314
Fundo Riofino, floor element, central channel drain, rectangular	1800 x 900 x 50 mm	300 mm	10 units	07-37-37/315

Fundo Riofino ■ special floor element

Description	Dimensions	Restrictions	Order no.
Fundo bespoke floor element, with 300 mm central channel drain, square or rectangular, one piece	Length X: max. 1800 mm Width Y: max. 1500 mm Thickness: 50 mm	Dimensions YB = min. 200 mm XA = min. 226 mm	07-37-16/299

- i** Delivery can take approximately 7 days after receipt of order and confirmation of technical specification. (Only applies to orders of 1 to 3 units; larger numbers of units require an individual check)

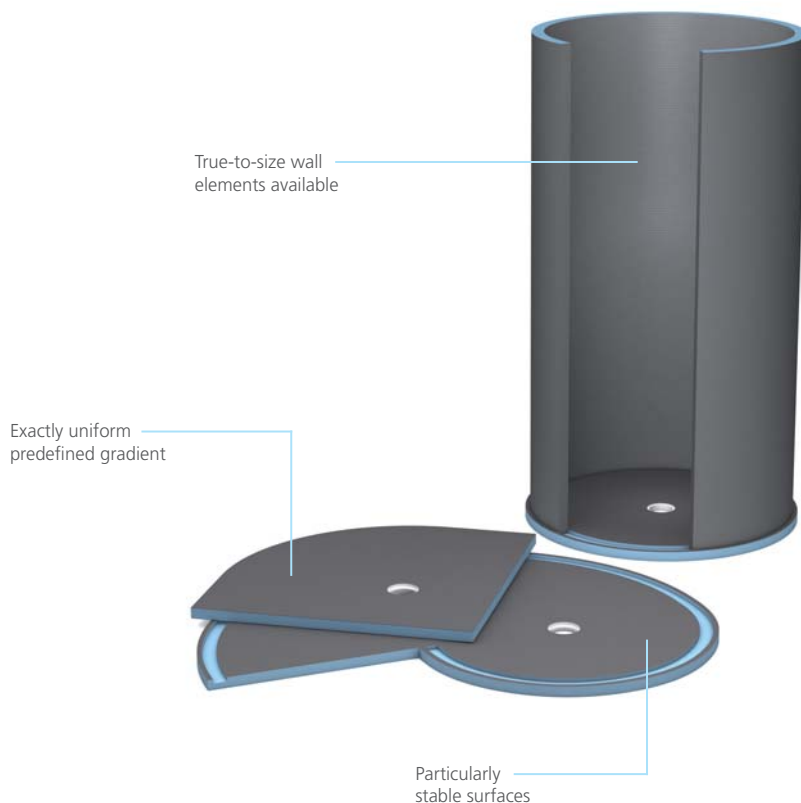




Fundo designer showers

Shower elements in unusual shapes

Wet rooms used to be reserved for trendy boutique hotels and luxury developments, but over the last couple of years they became an a-la-mode bathroom choice for homes and public wellness & leisure facilities as they offer a visual highlight with high functionality. These Fundo elements unite creative linear guidance with natural shapes and can also be combined with matching wall elements allowing them to be placed even in the middle of the room! The shower is turned into a feature and becomes the absolute highlight of the bathroom.

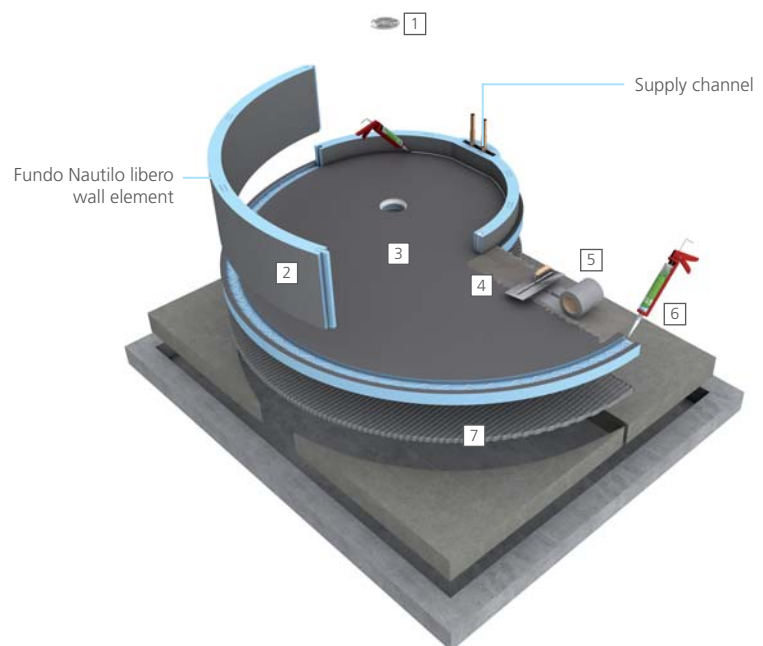




System construction special solutions

Products used

- [1] Fundo Fino drain grate
- [2] Fundo Nautilo libero wall element
- [3] Fundo Nautilo
- [4] wedi 520, flexible sealant
- [5] wedi Tools sealing tape
- [6] wedi 610, adhesive sealant
- [7] wedi 320, tile adhesive



Article numbers and versions

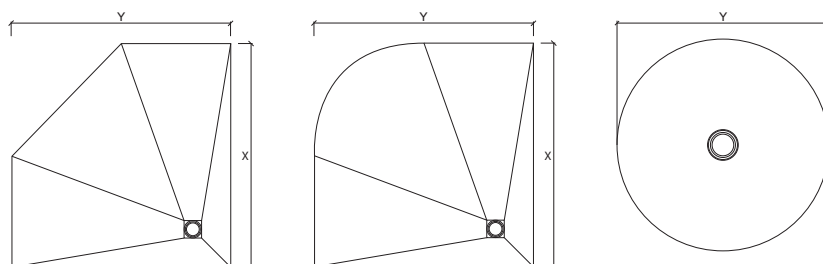
Description	Dimensions	Packing unit	Order no.
Fundo Nautilo, floor element, right entry	1890 × 1515 × 50 mm	10 units	07-37-36/066
Fundo Nautilo, floor element, left entry	1890 × 1515 × 50 mm	10 units	07-37-36/065
Fundo Borgo, floor element, corner drain	900 × 900 × 40 mm	10 units	07-37-35/576
Fundo Borgo, floor element, corner drain	1000 × 1000 × 40 mm	10 units	07-37-36/576
Fundo Trollo, floor element, central drain	Ø 1140 × 40 mm	10 units	07-37-36/575

Description	Dimensions	Packing unit	Order no.
Fundo Nautilo, wall element	1850 × 1475 × 2015 mm	1 unit	04-17-08/000
Fundo Nautilo, extension collar	1850 × 1475 × 500 mm	1 unit	04-17-08/052
Fundo Nautilo libero, wall element with supply channel	1850 × 1475 × 2015 mm	1 unit	04-17-08/002
Fundo Nautilo libero, extension collar with supply channel	1850 × 1475 × 500 mm	1 unit	04-17-08/053
Fundo Trollo, wall element	Ø 1100 × 2015 mm	1 unit	04-17-09/002
Fundo Trollo, extension collar	Ø 1100 × 500 mm	1 unit	04-17-09/052
Fundo Trollo libero, wall element with supply channel	Ø 1100 × 2015 mm	1 unit	04-17-09/003
Fundo Trollo libero, extension collar with supply channel	Ø 1100 × 500 mm	1 unit	04-17-09/003

Fundo Individual ■ Special floor elements

Description	Dimensions	Order no.
wedi Fundo bespoke floor element, multi-corner; round; multi-piece; individual dimensions, design and thickness	Length X: individual Width Y: individual Thickness: individual	07-37-14/499

i Delivery can take approximately 21 days after receipt of order and confirmation of technical specification. (Only applies to orders of 1 to 3 units; larger numbers of units require an individual check)

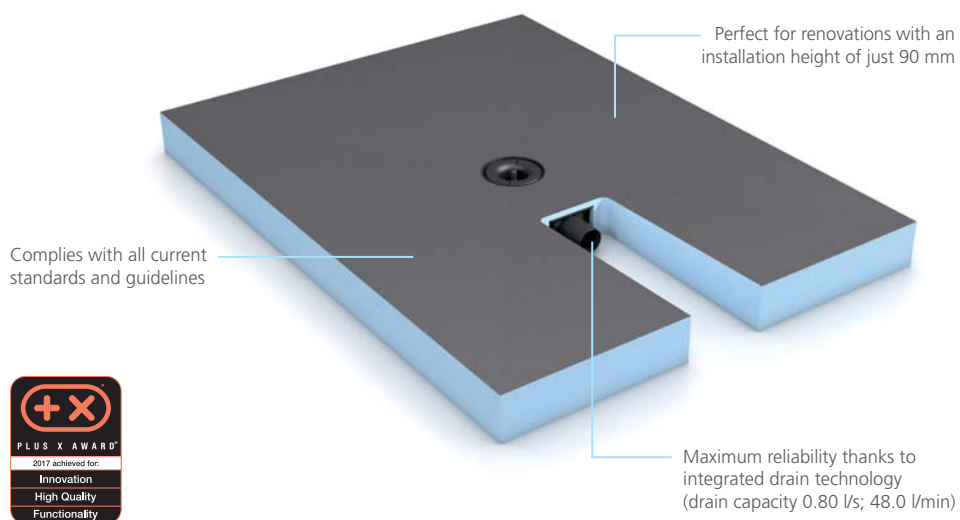




Fundo Integro

The standard-compliant wedi complete system with integrated drainage

The Fundo Integro is the newest flush-to-floor shower element with integrated drain technology from wedi, featuring a 50 mm water trap height, a drain capacity of 0.8 litres per second, at least 1.5% even pre-formed gradient and 100 % waterproof material. This shower element not only fulfils all relevant standards but offers an overall installation height of just 90 mm! Like all the other Fundo floor elements it is already sealed ready for installation and is available in various sizes, with central or offset point drainage and either long or short side pipe-connection. This complete shower system is simply the perfect solution for all renovation projects, as well as a reliable and time-saving alternative for every installation.

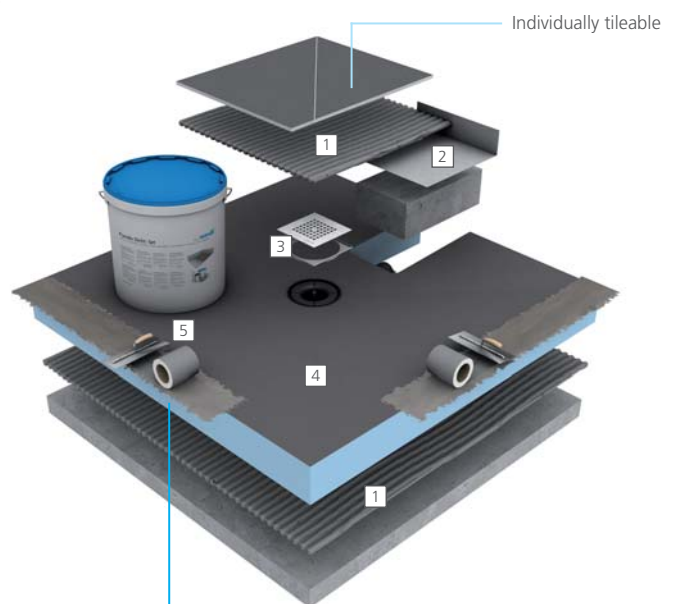




System construction Fundo Integro

Products used

- 1 wedi 320, tile adhesive
- 2 Sealing sheet
- 3 Fundo Integro drain grate
(included in the scope of delivery)
- 4 Fundo Integro
- 5 wedi Fundo sealing set



DIN
compliant

Article numbers and versions

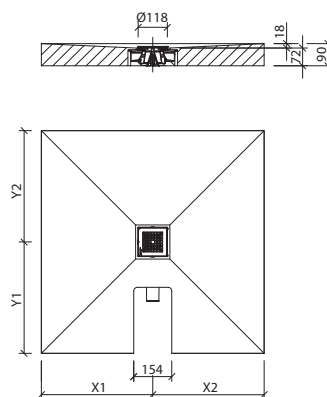
Description	Length × Width × Thickness	Packing unit	Order no.
Fundo Integro, floor element with fully integrated drain technology, central drain	900 × 900 × 90 mm	10 units	07-59-00/004
Fundo Integro, floor element with fully integrated drain technology, central drain	1000 × 1000 × 90 mm	10 units	07-59-00/008
Fundo Integro, floor element with fully integrated drain technology, central drain	1200 × 1200 × 90 mm	10 units	07-59-00/007
Fundo Integro, floor element with fully integrated drain technology, central drain, short side connection	1200 × 900 × 90 mm	10 units	07-59-00/005
Fundo Integro, floor element with fully integrated drain technology, central drain, short side connection	1200 × 900 × 90 mm	10 units	07-59-00/006
Fundo Integro, floor element with fully integrated drain technology, offset drain	1200 × 900 × 90 mm	10 units	07-59-00/000
Fundo Integro, floor element with fully integrated drain technology, offset drain	1400 × 900 × 90 mm	10 units	07-59-00/001
Fundo Integro, floor element with fully integrated drain technology, offset drain	1600 × 1000 × 90 mm	10 units	07-59-00/002
Fundo Integro, floor element with fully integrated drain technology, offset drain	1800 × 900 × 90 mm	10 units	07-59-00/003

i Scope of delivery: Fundo Integro floor element, drain cover in brushed V₂A stainless steel, plastic frames, assembly lubricant and large sealing corner

Fundo Integro ■ Special floor element

Description	Dimensions	Order no.
Fundo Integro bespoke floor element, square or rectangular with central or offset drain position	Length X: min. 800 mm / max. 1500 mm Width Y: min. 800 mm / max. 1800 mm Thickness: 90 mm	07-37-16/399

i Delivery time ex-works. 14 days after final technical clearance and release of order.
(Only applies to orders of 1 to 3 units; larger numbers of units require an individual check).

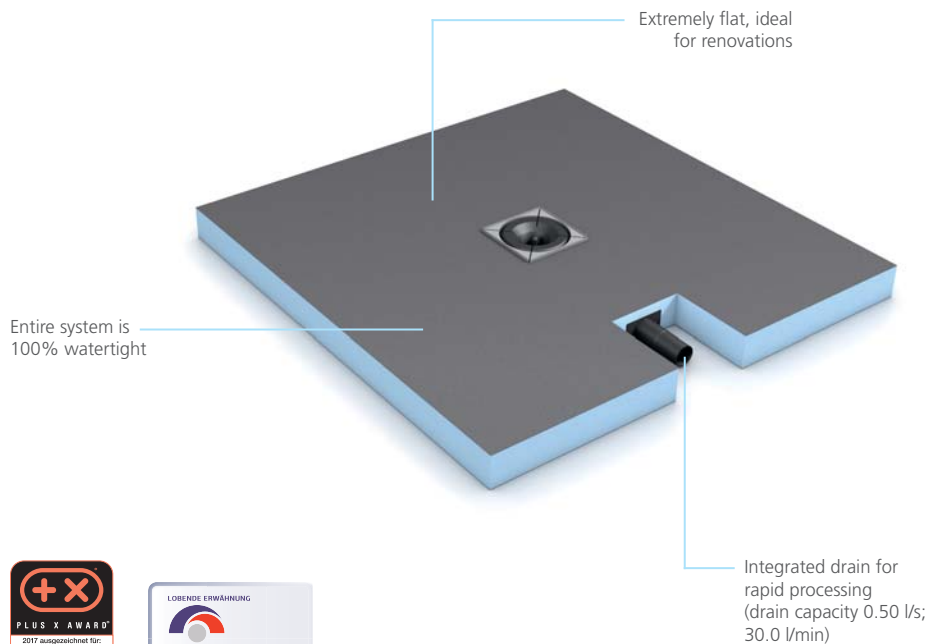




Fundo Plano

The slimmest wedi complete system

The Fundo Plano offers an incredible total installation height of just 65 mm, a precisely defined slope and 40 mm water trap height. It is available in various sizes, with central or offset point drainage and either long or short side pipe-connection. Like all the other Fundo elements it guarantees a 100 % watertightness and allows for a straightforward and time-saving installation.

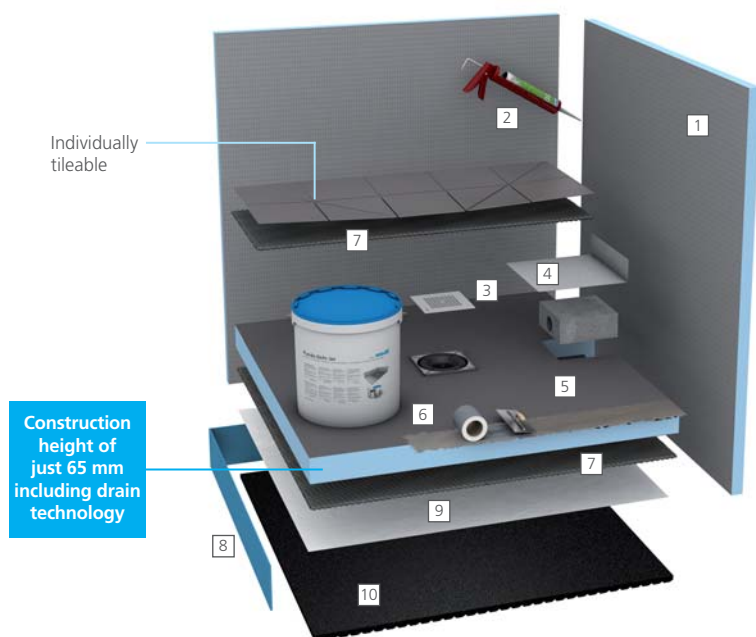




System construction Fundo Plano

Products used

- 1 wedi building boards
- 2 wedi 610, adhesive sealant
- 3 Fundo Plano drain grate
(included in the scope of delivery)
- 4 Sealing sheet
- 5 Fundo Plano
- 6 wedi Fundo sealing set
- 7 wedi 320, tile adhesive
- 8 wedi edge insulation strips
- 9 PE film
- 10 wedi Nonstep Pro



Article numbers and versions

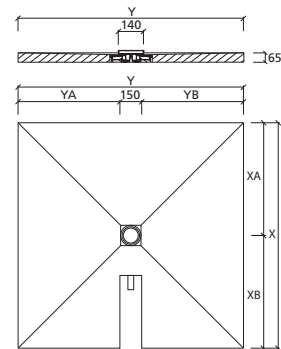
Description	Length × Width × Thickness	Packing unit	Order no.
Fundo Plano, floor element with fully integrated drain technology, central drain, DN 40	900 × 900 × 65 mm	10 units	07-37-35/600
Fundo Plano, floor element with fully integrated drain technology, central drain, DN 40	1000 × 1000 × 65 mm	10 units	07-37-35/601
Fundo Plano, floor element with fully integrated drain technology, central drain, DN 40	1200 × 1200 × 65 mm	10 units	07-37-35/602
Fundo Plano, floor element with fully integrated drain technology, central drain, DN 40	1200 × 900 × 65 mm	10 units	07-37-35/603
Fundo Plano, floor element with fully integrated drain technology, central drain, DN 40, short side connection	1200 × 900 × 65 mm	10 units	07-37-35/604
Fundo Plano, floor element with fully integrated drain technology, offset drain, DN 40	1400 × 900 × 65 mm	10 units	07-37-35/605
Fundo Plano, floor element with fully integrated drain technology, offset drain, DN 40	1600 × 1000 × 65 mm	10 units	07-37-35/606

i Scope of delivery: Fundo Plano floor element, drain cover in brushed V₂A stainless steel and large sealing corner

Fundo Plano ■ Special floor element

Description	Dimensions	Restrictions	Order no.
Fundo Plano bespoke floor element, square or rectangular with central or offset drain position	Length X: min. 800 mm max. 1500 mm Width Y: min. 800 mm max. 1600 mm Thickness: 65 mm	Slope YA: min. 260 mm/max. 900 mm Slope YB: min. 260 mm/max. 900 mm Slope XA: min. 260 mm/max. 900 mm Slope XB: min. 450 mm/max. 600 mm	07-37-14/699

i Delivery time ex-works. 14 days after final technical clearance and release of order.
 (Only applies to orders of 1 to 3 units; larger numbers of units require an individual check).



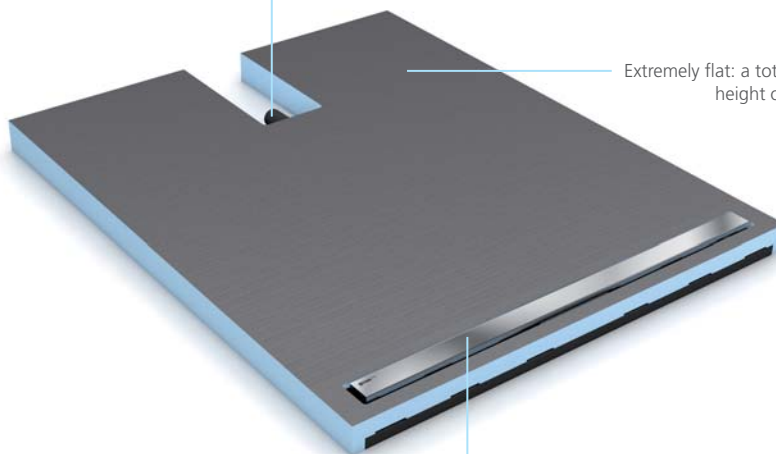


Fundo Plano Linea

The elegant wedi complete system

Featuring modern linear drainage, the Fundo Plano Linea offers a total installation height of just 70 mm, a precisely defined slope and 40 mm water trap height. Its linear drainage is positioned very close to the wall and is available in various sizes with either a short or long channel. The Plano Linea naturally offers all the benefits of a tried-and-tested wedi system, from the guaranteed 100 % watertightness to the straightforward and time-saving installation.

Complete system incl.
integrated drain technology



Extremely flat: a total installation
height of just 70 mm

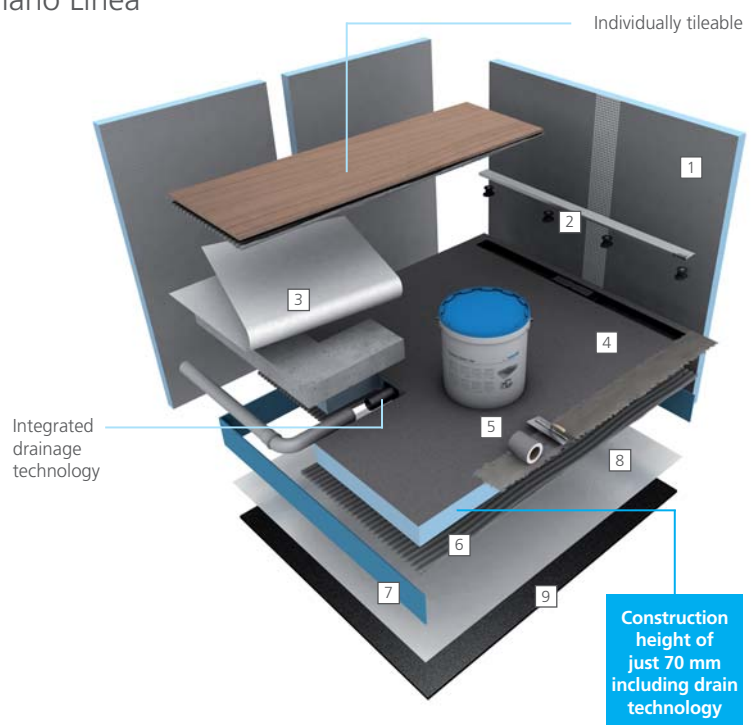
Linear drainage especially
close to the wall
(drain capacity 0.40 l/s; 24.0 l/min)



System construction Fundo Plano Linea

Products used

- 1 wedi building boards
- 2 Fundo Plano Linea standard channel cover (included in the scope of delivery)
- 3 Sealing sheet
- 4 Fundo Plano Linea
- 5 wedi Fundo sealing set
- 6 wedi 320, tile adhesive
- 7 wedi edge insulation strips
- 8 PE film
- 9 wedi Nonstep Pro



Article numbers and versions

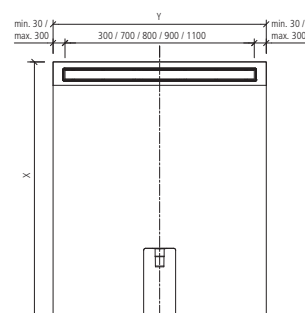
Description	Length × Width × Thickness	Channel length	Packing unit	Order no.
Fundo Plano Linea, floor element with channel and fully integrated drain technology, square, DN 40	900 × 900 × 70 mm	800 mm ⊙	10 units	07-37-36/603
Fundo Plano Linea, floor element with short channel and fully integrated drain technology, square, DN 40	900 × 900 × 70 mm	300 mm	10 units	07-37-36/608
Fundo Plano Linea, floor element with channel and fully integrated drain technology, rectangular, DN 40	1200 × 800 × 70 mm	700 mm ⊙	10 units	07-37-36/600
Fundo Plano Linea, floor element with channel and fully integrated drain technology, rectangular, DN 40	1200 × 900 × 70 mm	800 mm ⊙	10 units	07-37-36/601
Fundo Plano Linea, floor element with short channel and fully integrated drain technology, rectangular, DN 40	1200 × 900 × 70 mm	300 mm	10 units	07-37-36/607
Fundo Plano Linea, floor element with channel and fully integrated drain technology, rectangular, DN 40	1200 × 1000 × 70 mm	900 mm ⊙	10 units	07-37-36/602

- i** Scope of delivery: Fundo Plano floor element, height-adjustable drain cover in brushed V₂A stainless steel and large sealing pad
 You can order the Fundo Discreto element for an optical wall drain as an optional feature. (page 54 and 59).
 The figures ⊙, ⊚ and ⊛ mark the matching combinations with Fundo Discreto.

Fundo Plano Linea ■ Special floor element

Description	Dimensions	Restrictions	Order no.
Fundo Plano Linea bespoke floor element, square or rectangular, one piece with short or long channel	1-sided slope: Length X: max. 1400 mm Width Y: max. 1500 mm Thickness: 70 mm 2-sided slope: Length X: max. 1600 mm Width Y: max. 1500 mm Thickness: 70 mm 4-sided slope: Length X: max. 1600 mm Width Y: max. 1500 mm Thickness: 70 mm	Dimension YA: min. 30 mm / max. 300 mm	07-37-15/799

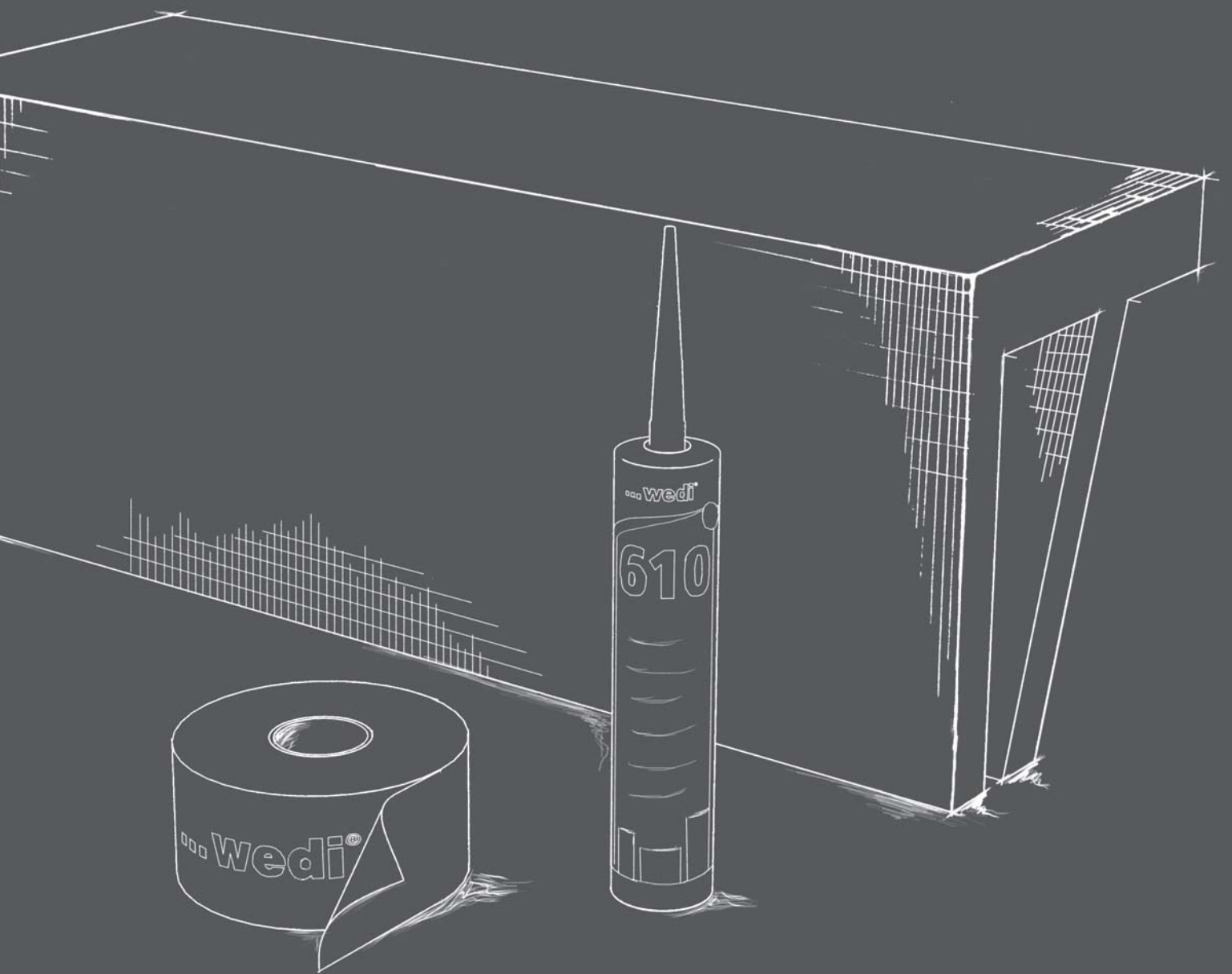
- i** Delivery time ex-works. 14 days after final technical clearance and release of order.
 (Only applies to orders of 1 to 3 units; larger numbers of units require an individual check).



Accessories: Installation material, sealing and expansion elements

wedi offers a large selection of additional installation materials, high-performance sealing solutions and modular expansion elements. Thanks to the modular building method of the perfectly compatible and combinable product range, wedi system solutions are especially easy and quick to set up. For the complete bathroom from one place, 100 % watertight and sustainably secure.







Fundo Top

The Fundo Top is a new ready-to-use surface that literally tops the Fundo Primo, Plano and Riolito neo walk-in shower elements. Made of a 6mm thick mineral material, with non-slip (R11 equivalent) and antibacterial surface it is a truly perfect alternative to traditional tiling without compromising the quality or the watertightness of the finish. It is a 100 % Fundo System component offering a straightforward, time saving installation, a sleek elegance, seamless design, pre-integrated slope and practical full body colour in white, beige, grey and anthracite. It is also perfect to use for shower enclosures with adjoining PVC flooring.



Fundo Top Primo

Whether large or small, square or rectangular – Fundo Top is the perfect surface for Fundo Primo with classic point drainage, available in a wide variety of shapes and sizes.



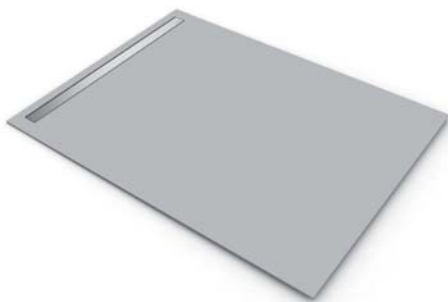
Fundo Top Plano

Fundo Plano and Fundo Top – the slimmest wedi complete system with an overall installation height of 65 mm and the beautiful, 6 mm thick ready-to-fit wedi surface – an unbeatable combination!



Fundo Top Riolito neo

Combined with the high-quality Fundo Top surface, the Fundo Riolito neo floor element with close-to-wall linear drainage fits seamlessly into any room concept in terms of design and colour.



Fundo Top Accessories

To match the Fundo Top surfaces, the channel covers are available with the matching colour inlay for Fundo Top Riolito neo and skirting for all designs.



Drain technology

Point drainage – wedi Fundo drains are suited to all wedi floor elements with point drainage. There is a variety of different versions for vertical and horizontal designs, but with all of them, a standard stainless steel grate (Fino 1.1) is included in the scope of delivery.



Linear drainage – wedi Fundo channel drains are suited to all wedi floor elements with linear drainage. These drains swivel through 360 degrees to allow flexibility when connecting to existing pipework on site. Channel covers must be purchased separately due to variety of sizes and designs.



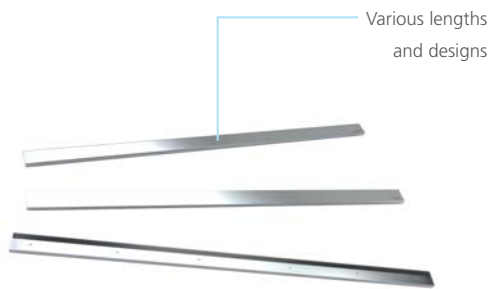
Sealing

The wedi Fundo sealing set consists of wedi 520 flexible sealant, wedi Tools sealing tape and wedi Tools sealing corners and is especially developed for the waterproof connection of Fundo shower elements to other non-wedi materials such as e.g. floor screed, plasterboard.



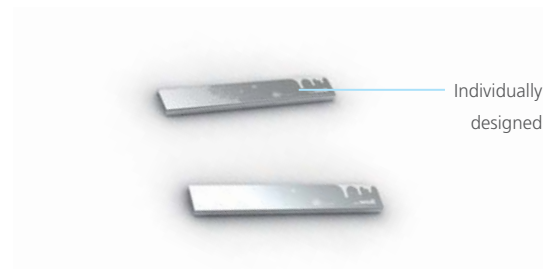
Classic channel covers

The high-quality and aesthetic channel covers for the wedi floor elements with linear drainage are available in standard, exclusive or tileable designs.



Individual channel covers

Fundo Persono is the high-quality finish of the wedi stainless steel channel covers with an individual motif of your choice. Whether logo, script or graphic, partial or full-surface – everything is possible.



Drain covers

The Fundo Fino series offers more designs, as alternatives to the supplied drain cover. Whether made from simple or brushed stainless steel, round or square or as a screw-fastened variant – thanks to our large selection, we have a suitable drain cover to suit everyone's tastes and purposes.



Fundo Fino 1.1



Fundo Fino 2.1



Fundo Fino 3.2



Fundo Fino 1.2



Fundo Fino 4.2



Fundo Fino 5.1

Adhesive sealant

As a versatile one-component adhesive sealant, wedi 610 is ideal for the simple, secure and waterproof joint connections between wedi components in just one easy step. The combination of wedi building boards and wedi 610 has a general building authority test certificate for highly stressed areas.



Tile adhesive

The universal wedi 320 thin-bed mortar based on a hydraulic binding agent is ideal for fixing and laying wedi building boards as well as wall and floor tiles in interior as well as external areas. It is waterproof and frost-resistant.



Sealant

The wedi 520 is a flexible sealant comprising of two components with crack bridging properties that guarantee the highest degree of safety should any surface crack subsequently develop. Specially developed for sealing of joints in conjunction with wedi Tools sealing tape and is suitable for full surface sealing in all wedi sealing systems.



Reinforcement

The wedi Tools reinforcement tape is a special fabric mesh tape for the fixing or bridging of wedi building board joints. It is available in standard and self-adhesive versions and in 2 different widths of either 125 mm or 600 mm.



Sealing and decoupling membrane

The flexible, crack-bridging sealing and decoupling membrane wedi Subliner Dry & Flex is made of a highly crack-resistant polyethylene film and is suitable for wall and floor surfaces both indoors and outdoors (areas of use A0 and B0).



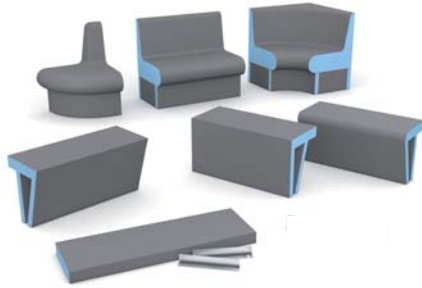
Sound insulation

wedi Nonstep Pro is the ideal product for efficient sound insulation of both footstep and water impact noises and perfectly suited for installation under wedi Fundo floor elements. It doesn't just fulfil the minimum requirements, but the modular wedi system has been tested for adherence to the increased noise-protection requirements, and passed. The wedi edge insulation strip prevents the transfer of noise between the Fundo floor element and the bordering area (wall, floor screed, etc.) and is consequently a necessary completion to the wedi sound-insulation mat Nonstep Pro.



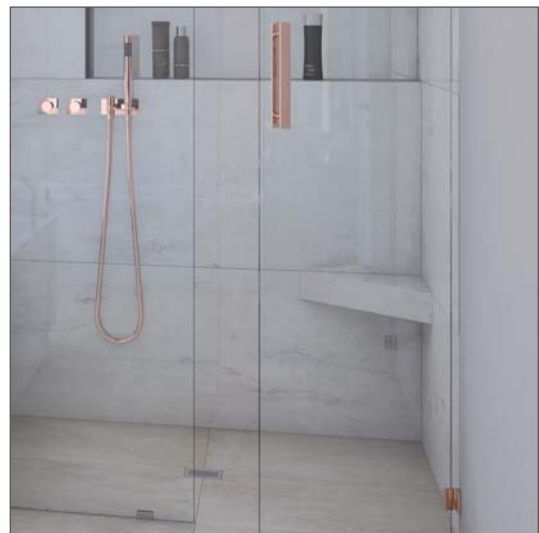
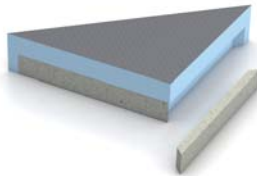
wedi Sanoasa benches

A wide range of simple and hygienic seating elements that not only offer a comfortable and relaxing showering experience but can also be individually shortened as required.



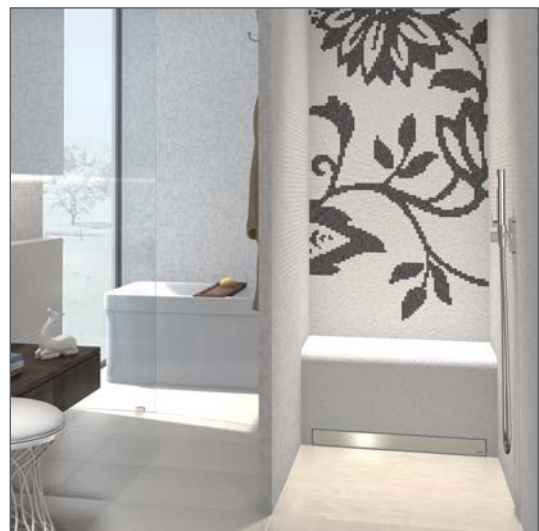
wedi corner seat element

The compact corner seat for showers of all sizes offers an easy and quick installation even after tiling.



Optical wall drain

A real design highlight in every bathroom. As an attachment element for linear drainage, the Fundo Discreto allows the water to visually disappear into the wall.





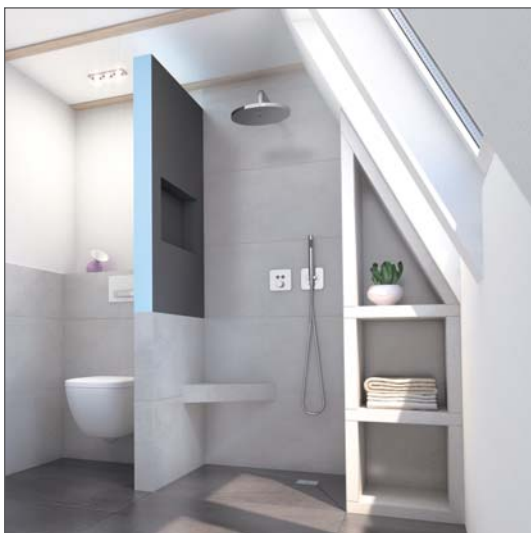
Easy to maintain shelving

The wedi Sanwell niche solutions combine functionality and design in one – the perfect, aesthetically pleasing storage solution for the bathroom or shower without compromising the floor space.



Free-standing partition wall

With the wedi building board XL & XXL, special shower partition walls can be quickly and easily implemented. This robust system solution is an ideal alternative to cumbersome wall structures.



wedi Sanwell wall element

Extremely robust wall element with integrated customisable niche. Ideal for use as a shower partition wall.



Fundo Top Primo ■ ready-to-use surface

Description	Length × Width × Thickness	Packing unit	Order no.
Fundo Top Primo, ready-to-use surface, square, central drain, white	900 × 900 × 6 mm	10 units	07-20-10/100
Fundo Top Primo, ready-to-use surface, rectangular, central drain, white	1200 × 900 × 6 mm	10 units	07-20-10/101
Fundo Top Primo, ready-to-use surface, rectangular, offset drain, white	1200 × 900 × 6 mm	10 units	07-20-10/102
Fundo Top Primo, ready-to-use surface, square, central drain, white	1200 × 1200 × 6 mm	10 units	07-20-10/103
Fundo Top Primo, ready-to-use surface, rectangular, central drain, white	1800 × 900 × 6 mm	10 units	07-20-10/104
Fundo Top Primo, ready-to-use surface, rectangular, offset drain, white	1800 × 900 × 6 mm	10 units	07-20-10/105
Fundo Top Primo, ready-to-use surface, square, central drain, beige	900 × 900 × 6 mm	10 units	07-20-10/200
Fundo Top Primo, ready-to-use surface, rectangular, central drain, beige	1200 × 900 × 6 mm	10 units	07-20-10/201
Fundo Top Primo, ready-to-use surface, rectangular, offset drain, beige	1200 × 900 × 6 mm	10 units	07-20-10/202
Fundo Top Primo, ready-to-use surface, square, central drain, beige	1200 × 1200 × 6 mm	10 units	07-20-10/203
Fundo Top Primo, ready-to-use surface, rectangular, central drain, beige	1800 × 900 × 6 mm	10 units	07-20-10/204
Fundo Top Primo, ready-to-use surface, rectangular, offset drain, beige	1800 × 900 × 6 mm	10 units	07-20-10/205
Fundo Top Primo, ready-to-use surface, square, central drain, grey	900 × 900 × 6 mm	10 units	07-20-10/400
Fundo Top Primo, ready-to-use surface, rectangular, central drain, grey	1200 × 900 × 6 mm	10 units	07-20-10/401
Fundo Top Primo, ready-to-use surface, rectangular, offset drain, grey	1200 × 900 × 6 mm	10 units	07-20-10/402
Fundo Top Primo, ready-to-use surface, square, central drain, grey	1200 × 1200 × 6 mm	10 units	07-20-10/403
Fundo Top Primo, ready-to-use surface, rectangular, central drain, grey	1800 × 900 × 6 mm	10 units	07-20-10/404
Fundo Top Primo, ready-to-use surface, rectangular, offset drain, grey	1800 × 900 × 6 mm	10 units	07-20-10/405
Fundo Top Primo, ready-to-use surface, square, central drain, anthracite	900 × 900 × 6 mm	10 units	07-20-10/300
Fundo Top Primo, ready-to-use surface, rectangular, central drain, anthracite	1200 × 900 × 6 mm	10 units	07-20-10/301
Fundo Top Primo, ready-to-use surface, rectangular, offset drain, anthracite	1200 × 900 × 6 mm	10 units	07-20-10/302
Fundo Top Primo, ready-to-use surface, square, central drain, anthracite	1200 × 1200 × 6 mm	10 units	07-20-10/303
Fundo Top Primo, ready-to-use surface, rectangular, central drain, anthracite	1800 × 900 × 6 mm	10 units	07-20-10/304
Fundo Top Primo, ready-to-use surface, rectangular, offset drain, anthracite	1800 × 900 × 6 mm	10 units	07-20-10/305

Fundo Top Plano ■ ready-to-use surface

Description	Length × Width × Thickness	Packing unit	Order no.
Fundo Top Plano, ready-to-use surface, square, central drain, white	900 × 900 × 6 mm	10 units	07-20-30/100
Fundo Top Plano, ready-to-use surface, rectangular, central drain, white	1200 × 900 × 6 mm	10 units	07-20-30/101
Fundo Top Plano, ready-to-use surface, rectangular, offset drain, white	1600 × 1000 × 6 mm	10 units	07-20-30/102
Fundo Top Plano, ready-to-use surface, square, central drain, beige	900 × 900 × 6 mm	10 units	07-20-30/200
Fundo Top Plano, ready-to-use surface, rectangular, central drain, beige	1200 × 900 × 6 mm	10 units	07-20-30/201
Fundo Top Plano, ready-to-use surface, rectangular, offset drain, beige	1600 × 1000 × 6 mm	10 units	07-20-30/202

Fundo Top Plano ■ ready-to-use surface

Description	Length × Width × Thickness	Packing unit	Order no.
Fundo Top Plano, ready-to-use surface, square, central drain, grey	900 × 900 × 6 mm	10 units	07-20-30/400
Fundo Top Plano, ready-to-use surface, rectangular, central drain, grey	1200 × 900 × 6 mm	10 units	07-20-30/401
Fundo Top Plano, ready-to-use surface, rectangular, offset drain, grey	1600 × 1000 × 6 mm	10 units	07-20-30/402
Fundo Top Plano, ready-to-use surface, square, central drain, anthracite	900 × 900 × 6 mm	10 units	07-20-30/300
Fundo Top Plano, ready-to-use surface, rectangular, central drain, anthracite	1200 × 900 × 6 mm	10 units	07-20-30/301
Fundo Top Plano, ready-to-use surface, rectangular, offset drain, anthracite	1600 × 1000 × 6 mm	10 units	07-20-30/302

Fundo Top Riolito neo ■ ready-to-use surface

Description	Length × Width × Thickness	Packing unit	Order no.
Fundo Top Riolito neo, ready-to-use surface, rectangular, white	1200 × 900 × 6 mm	10 units	07-20-20/100
Fundo Top Riolito neo, ready-to-use surface, rectangular, white	1600 × 1000 × 6 mm	10 units	07-20-20/101
Fundo Top Riolito neo, ready-to-use surface, rectangular, white	1800 × 900 × 6 mm	10 units	07-20-20/102
Fundo Top Riolito neo, ready-to-use surface, rectangular, beige	1200 × 900 × 6 mm	10 units	07-20-20/200
Fundo Top Riolito neo, ready-to-use surface, rectangular, beige	1600 × 1000 × 6 mm	10 units	07-20-20/201
Fundo Top Riolito neo, ready-to-use surface, rectangular, beige	1800 × 900 × 6 mm	10 units	07-20-20/202
Fundo Top Riolito neo, ready-to-use surface, rectangular, grey	1200 × 900 × 6 mm	10 units	07-20-20/400
Fundo Top Riolito neo, ready-to-use surface, rectangular, grey	1600 × 1000 × 6 mm	10 units	07-20-20/401
Fundo Top Riolito neo, ready-to-use surface, rectangular, grey	1800 × 900 × 6 mm	10 units	07-20-20/402
Fundo Top Riolito neo, ready-to-use surface, rectangular, anthracite	1200 × 900 × 6 mm	10 units	07-20-20/300
Fundo Top Riolito neo, ready-to-use surface, rectangular, anthracite	1600 × 1000 × 6 mm	10 units	07-20-20/301
Fundo Top Riolito neo, ready-to-use surface, rectangular, anthracite	1800 × 900 × 6 mm	10 units	07-20-20/302

Fundo Top ■ Accessories

Description	Dimensions	Packing unit	Order no.
Fundo Top Inlay with tileable channel cover, white	800 mm	1 unit	07-20-00/100
Fundo Top Inlay with tileable channel cover, beige	800 mm	1 unit	07-20-00/200
Fundo Top Inlay with tileable channel cover, grey	800 mm	1 unit	07-20-00/400
Fundo Top Inlay with tileable channel cover, anthracite	800 mm	1 unit	07-20-00/300
Fundo Top cladding, white	1880 × 200 × 6 mm	1 unit	07-20-40/100
Fundo Top cladding, beige	1880 × 200 × 6 mm	1 unit	07-20-40/200
Fundo Top cladding, grey	1880 × 200 × 6 mm	1 unit	07-20-40/400
Fundo Top cladding, anthracite	1880 × 200 × 6 mm	1 unit	07-20-40/300

wedi Fundo drains ■ Point drainage

Description	Packing unit	Order no.
wedi Fundo vertical drain, DN 50, square, absorption capacity 1.10 l/s; 66.0 l/min	1 unit	07-70-00/033
wedi Fundo vertical drain, DN 50, round, absorption capacity 1.10 l/s; 66.0 l/min	1 unit	07-70-00/035
wedi Fundo vertical drain, DN 70, absorption capacity 1.00 l/s; 60.0 l/min	1 unit	07-70-00/010
wedi Fundo horizontal drain, DN 50, square, absorption capacity 0.80 l/s; 48.0 l/min	1 unit	07-70-00/034
wedi Fundo horizontal drain, DN 50, round, absorption capacity 0.80 l/s; 48.0 l/min	1 unit	07-70-00/036
wedi Fundo drain Mini Max, DN 40, extra flat, absorption capacity 0.50 l/s; 30.0 l/min	1 unit	07-70-00/015

wedi Fundo channel drains ■ Linear drainage

Description	Packing unit	Order no.
wedi Fundo channel drain, vertical, DN 50, absorption capacity 1.10 l/s; 66.0 l/min	1 unit	07-75-00/002
wedi Fundo channel drain, vertical, DN 50 with fire protection collar, absorption capacity 1.10 l/s; 66.0 l/min	1 unit	07-37-49/011
wedi Fundo channel drain, horizontal, DN 50, absorption capacity 0.80 l/s; 48.0 l/min	1 unit	07-75-00/001
wedi Fundo channel drain Mini Max, DN 40, extra flat, absorption capacity 0.50 l/s; 30.0 l/min	1 unit	07-75-00/003

wedi Fundo channel covers

Description	Length × Width × Height	Packing unit	Order no.
wedi Fundo channel cover standard, stainless steel, brushed	300 × 40 × 18 mm	1 unit	67-68-00/010
wedi Fundo channel cover standard, stainless steel, brushed	700 × 40 × 18 mm	1 unit	67-68-00/009
wedi Fundo channel cover standard, stainless steel, brushed	800 × 40 × 18 mm	1 unit	67-68-00/008
wedi Fundo channel cover standard, stainless steel, brushed	900 × 40 × 18 mm	1 unit	67-68-00/007
wedi Fundo channel cover standard, stainless steel, brushed	1100 × 40 × 18 mm	1 unit	67-68-00/006
wedi Fundo channel cover exclusive, solid stainless steel, brushed	300 × 40 × 21 mm	1 unit	67-68-00/001
wedi Fundo channel cover exclusive, solid stainless steel, brushed	700 × 40 × 21 mm	1 unit	67-68-00/002
wedi Fundo channel cover exclusive, solid stainless steel, brushed	800 × 40 × 21 mm	1 unit	67-68-00/003
wedi Fundo channel cover exclusive, solid stainless steel, brushed	900 × 40 × 21 mm	1 unit	67-68-00/004
wedi Fundo channel cover exclusive, solid stainless steel, brushed	1100 × 40 × 21 mm	1 unit	67-68-00/005
wedi Fundo channel cover tileable, stainless steel, brushed	300 × 40 × 18 mm	1 unit	67-68-00/011
wedi Fundo channel cover tileable, stainless steel, brushed	700 × 40 × 18 mm	1 unit	67-68-00/012
wedi Fundo channel cover tileable, stainless steel, brushed	800 × 40 × 18 mm	1 unit	67-68-00/013
wedi Fundo channel cover tileable, stainless steel, brushed	900 × 40 × 18 mm	1 unit	67-68-00/014
wedi Fundo channel cover tileable, stainless steel, brushed	1100 × 40 × 18 mm	1 unit	67-68-00/015

Fundo Persono channel covers

Description	Length × Width × Height	Packing unit	Order no.
Fundo Persono channel cover standard, stainless steel, brushed	300 × 40 × 18 mm	1 unit	67-69-00/010
Fundo Persono channel cover standard, stainless steel, brushed	700 × 40 × 18 mm	1 unit	67-69-00/011
Fundo Persono channel cover standard, stainless steel, brushed	800 × 40 × 18 mm	1 unit	67-69-00/012
Fundo Persono channel cover standard, stainless steel, brushed	900 × 40 × 18 mm	1 unit	67-69-00/013
Fundo Persono channel cover standard, stainless steel, brushed	1100 × 40 × 18 mm	1 unit	67-69-00/014
Fundo Persono channel cover exclusive, solid stainless steel, brushed	300 × 40 × 21 mm	1 unit	67-69-00/020
Fundo Persono channel cover exclusive, solid stainless steel, brushed	700 × 40 × 21 mm	1 unit	67-69-00/021
Fundo Persono channel cover exclusive, solid stainless steel, brushed	800 × 40 × 21 mm	1 unit	67-69-00/022
Fundo Persono channel cover exclusive, solid stainless steel, brushed	900 × 40 × 21 mm	1 unit	67-69-00/023
Fundo Persono channel cover exclusive, solid stainless steel, brushed	1100 × 40 × 21 mm	1 unit	67-69-00/024

Fundo Fino ■ Drain grids

Description	Diameter / Length × Width × Height	Packing unit	Order no.
Fundo Fino 1.1, drain grid, square, stainless steel	115 × 115 × 5 mm	1 unit	67-68-00/033
Fundo Fino 1.2, drain grid, round, stainless steel	Ø 115 × 5 mm	1 unit	67-68-00/034
Fundo Fino 1.3, drain grid, square, stainless steel, screw in, incl. stainless steel frames	115 × 115 × 5 mm	1 unit	67-68-00/035
Fundo Fino 2.1, drain grid, square, stainless steel	115 × 115 × 5 mm	1 unit	67-68-00/037
Fundo Fino 2.2, drain grid, round, stainless steel	Ø 115 × 5 mm	1 unit	67-68-00/038
Fundo Fino 2.3, drain grid, square, stainless steel, screw in, incl. stainless steel frames	115 × 115 × 5 mm	1 unit	67-68-00/039
Fundo Fino 3.1, drain grid, square, stainless steel	115 × 115 × 5 mm	1 unit	67-68-00/040
Fundo Fino 3.2, drain grid, round, stainless steel	Ø 115 × 5 mm	1 unit	67-68-00/041
Fundo Fino 3.3, drain grid, square, stainless steel, screw in, incl. stainless steel frames	115 × 115 × 5 mm	1 unit	67-68-00/042
Fundo Fino 4.1, drain grid, square, solid stainless steel	115 × 115 × 5 mm	1 unit	67-68-00/043
Fundo Fino 4.2, drain grid, round, solid stainless steel	Ø 115 × 5 mm	1 unit	67-68-00/044
Fundo Fino 5.1, drain grid, square, solid stainless steel	115 × 115 × 5 mm	1 unit	67-68-00/046
Fundo Fino 6.1, flat drain grid, square, solid stainless steel, incl. plastic frame	115 × 115 × 2.5 mm	1 unit	67-68-00/052

wedi sloping boards

Description	Length × Width × Thickness	Packing unit	Order no.
wedi sloping board 1, Fundo Primo	600 × 1200 × 40 / 46 mm	40 units	07-37-37/001
wedi sloping board 2, Fundo Primo	600 × 1200 × 46 / 52 mm	40 units	07-37-37/002
wedi sloping board, Riolito neo / Riolito / Riofino	600 × 1200 × 50 / 60 mm	40 units	07-37-37/003

Installation materials and sealing

Description	Content/Dimensions	Packing unit	Order no.
wedi Fundo sealing set	1 set	1 bucket	07-37-96/000
wedi 320, flexible cement based Adhesive	25 kg	1 bag	11-00-25/320
wedi 520, cement based Waterproof Membrane	20 kg + 10 kg	1 bag + 1 drum	11-99-00/520
wedi 610, adhesive sealant	310 ml / 1 Cartridge	20 units	07-69-02/002
wedi Tools, joint reinforcement tape	25 m x 125 mm	1 roll	09-52-20/053
wedi Tools, joint reinforcement tape	50 m x 600 mm	1 roll	09-52-10/052
wedi Tools, joint reinforcement tape, self-adhesive	25 m x 125 mm	1 roll	09-52-25/053
wedi Tools, joint reinforcement tape, self-adhesive	50 m x 600 mm	1 roll	09-52-15/052
wedi Tools, sealing gaiter, fleece laminated, extendable, suitable for 1/2" to 3/4" feed-throughs	120 x 120 mm	10 units	09-51-20/050
wedi Tools, sealing gaiter, fleece laminated, extendable DN 40 – 75	150 x 150 mm	5 units	09-51-10/361
wedi Tools, sealing gaiter, fleece laminated, extendable DN 90 – 125, also for fittings	250 x 250 mm Ø 135 mm	5 units	09-51-10/362

Sound insulation in the shower

Description	Length x Width x Thickness	Packing unit	Order no.
wedi Nonstep Pro	600 x 600 x 8 mm	4 units	01-12-55/000
wedi Nonstep Pro	900 x 5000 x 8 mm	1 roll	01-12-55/001
wedi Nonstep Pro	1200 x 5000 x 8 mm	1 roll	01-12-55/002
wedi Nonstep Pro	600 x 600 x 17 mm	4 units	01-12-55/003
wedi Nonstep Pro	900 x 2500 x 17 mm	1 roll	01-12-55/004
wedi Nonstep Pro	1200 x 2500 x 17 mm	1 roll	01-12-55/005
wedi edge insulation strips	25 m x 150 mm	1 roll	01-12-55/006

wedi Sanoasa benches 1 – 4

Description	Length	Seat depth	Height	Packing unit	Order no.
wedi Sanoasa bench 1, straight	900 mm	380 mm	454 mm	1 unit	07-64-47/020
wedi Sanoasa bench 1, straight	1200 mm	380 mm	454 mm	1 unit	07-64-47/021
wedi Sanoasa bench 2, angled	900 mm	380 mm	454 mm	1 unit	07-64-47/022
wedi Sanoasa bench 2, angled	1200 mm	380 mm	454 mm	1 unit	07-64-47/023
wedi Sanoasa bench 3, rounded	900 mm	380 mm	454 mm	1 unit	07-64-47/024
wedi Sanoasa bench 3, rounded	1200 mm	380 mm	454 mm	1 unit	07-64-47/025

Description	Width x Depth x Thickness	Packing unit	Order no.
wedi Sanoasa bench 4, straight, self-supporting, struck on 3 sides	1200 x 380 x 80 mm	1 unit	07-64-47/041

wedi Sanoasa corner seats

Description	Width × Depth × Thickness	Packing unit	Order no.
wedi Sanoasa corner seat, size M	600 × 300 × 100 mm	1 unit	07-37-84/302
wedi Sanoasa corner seat, size L	800 × 300 × 100 mm	1 unit	07-37-84/402

wedi Sanwell Niches

Description	Interior dimensions: Length × Width × Depth	Exterior dimensions: Length × Width × Depth	Packing unit	Order no.
wedi Sanwell niche, 20/40, Frame width 10.0 mm	234 × 434 × 100 mm	454 × 654 × 110 mm	24 units	07-43-15/410
wedi Sanwell niche, 30/60, Frame width 10.0 mm	334 × 634 × 100 mm	554 × 854 × 110 mm	20 units	07-43-15/411
wedi Sanwell niche, 20/40, Frame width 12.5 mm	234 × 434 × 70 mm	372 × 572 × 82.5 mm	60 units	07-43-15/420
wedi Sanwell niche, 30/60, Frame width 12.5 mm	334 × 634 × 70 mm	472 × 772 × 82.5 mm	30 units	07-43-15/421

Fundo Discreto ■ Optical wall drain

Description	Length × Height × Depth	fits channel length	Packing unit	Order no.
Fundo Discreto, attachment element	800 × 180 × 76 mm	700 mm	10 units	07-37-38/200
Fundo Discreto, attachment element	900 × 180 × 76 mm	800 mm	10 units	07-37-38/201
Fundo Discreto, attachment element	1000 × 180 × 76 mm	900 mm	10 units	07-37-38/202

wedi building boards ■ Partition wall solutions

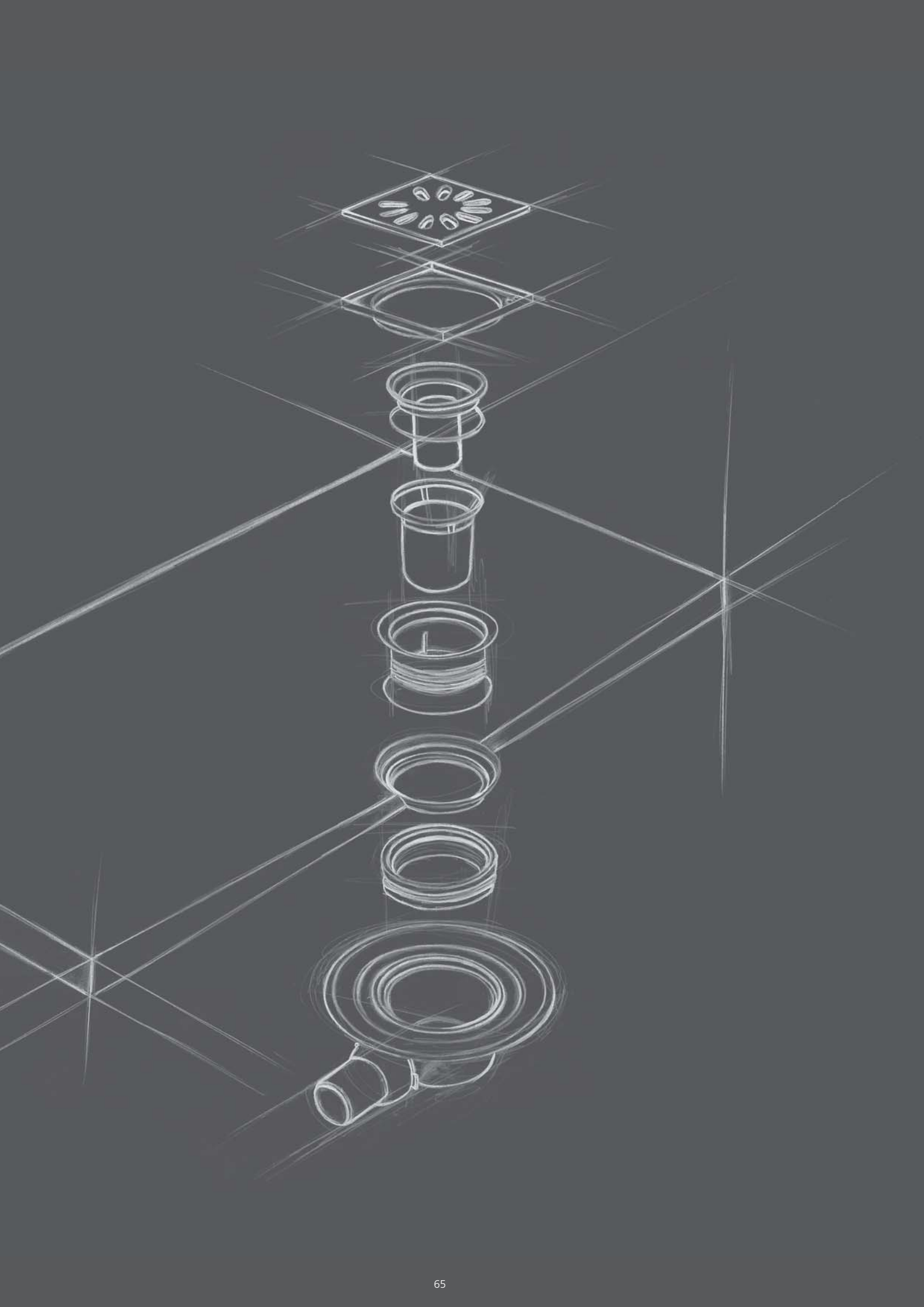
Description	Length × Width × Thickness	Packing unit	Order no.
wedi building board	2500 × 600 × 50 mm	24 boards	01-00-00/050
wedi building board	2500 × 600 × 60 mm	24 boards	01-07-10/060
wedi building board	2500 × 600 × 80 mm	20 boards	01-07-10/080
wedi building board	2500 × 600 × 100 mm	20 boards	01-07-10/199
wedi building board XL	2500 × 900 × 50 mm	12 boards	01-00-00/950
wedi building board XXL	2500 × 1200 × 50 mm	12 boards	01-00-01/250

wedi Sanwell wall elements ■ Partition wall with niche

Description	Length × Width × Thickness	Packing unit	Order no.
wedi Sanwell wall element XL, with niche 30/60	2500 × 900 × 100 mm	1 unit	04-17-01/100
wedi Sanwell wall element XXL, with niche 30/60	2500 × 1200 × 100 mm	1 unit	04-17-01/101

The system technology Simply sure, surely simple

Functionality and safety play important roles in the design of all wedi substructures. This is the very reason why tradesmen have been putting their faith in the unique quality of the modular wedi systems for decades. They are thermally insulating, offer a variety of uses, allow for extension, and are both light and stable, as well as 100 % watertight.



So that safety is guaranteed in your system



The CE labelling of the wedi products documents their tested and approved use as a sealing system for wet rooms.



Systems from wedi are labelled with the French VOC classification. A+ stands for exceptionally low emission, non-hazardous product systems.



The wedi product systems satisfy the construction guidelines and regulations that are valid in England, Wales, Northern Ireland and Scotland.



The modular system solutions from wedi have a wide range of differing technical building approvals and test certificates.



TÜV Rheinland confirms and certifies the excellent wedi quality management system in accordance with DIN ISO 9001:2015.



The barrier-free wedi products have been tested, assessed and certified for their conformity by the DIN CERTCO organisation for conformity assessments.



The wedi product systems have been technically tested and labelled in France by the CSTB (Centre scientifique et technique du bâtiment).



When manufacturing its products, wedi uses certified green electricity from renewable energies.



The wedi construction systems are labelled with the leading Finnish emissions classification. In this context, M1 stands for the highest quality.



The Norwegian test seal, which corresponds to the European requirements, certifies the high technical quality of the wedi product systems.



The wedi quality management and the high product quality are labelled with the Finnish VTT test seal.

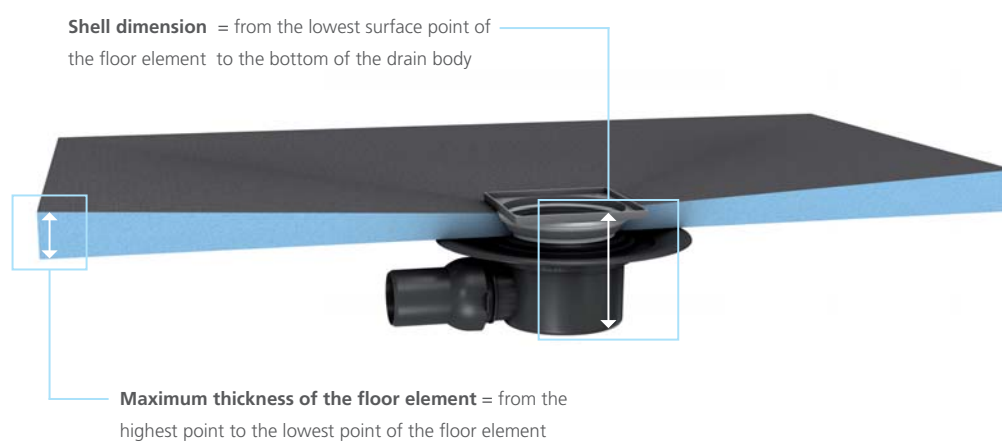


The MK test seal qualifies wedi products for use in Denmark in accordance with the country-specific guidelines, norms and standards.

What is the construction height of each floor element?

When seeking the suitable floor element, one question is especially important: What is the construction height of the floor element? It is frequently the case that products are not bought with the actual construction height, but with the shell dimension at the drain. What is actually required, however, is the highest point on the outer edge of an element. For this reason we always state the maximum height of the floor elements – the only value which counts for you.

Fundo floor element + Fundo drain = construction height

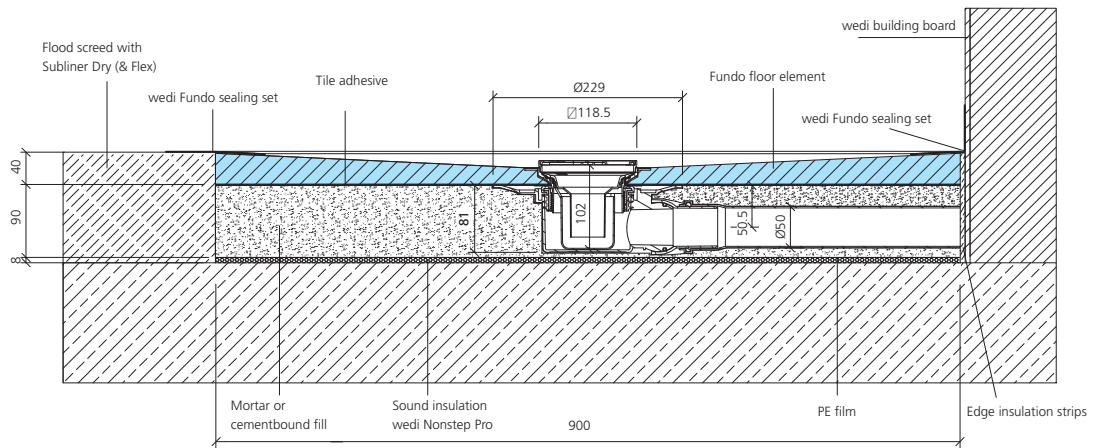


wedi Fundo floor elements	wedi Fundo drains	Installation height
Fundo Ligno (installed flush to wooden joists)	Fundo vertical or horizontal drain, DN 50	0 mm
Fundo Ligno (installed on top of wooden joists)	Fundo vertical or horizontal drain, DN 50	20 mm
Fundo Primo	Fundo vertical drain, DN 50	40 mm
Fundo Riolito neo, Riolito, Riofino	Fundo vertical drain, DN 50	50 mm
Fundo Integro (integrated drain)	–	90 mm
Fundo Plano (integrated drain)	–	65 mm
Fundo Plano Linea (integrated drain)	–	70 mm
Fundo Primo, Riolito neo, Riolito, Riofino	Fundo drain Mini Max, DN 40	97 to 99 mm
Fundo Primo, Riolito neo, Riolito, Riofino	Fundo horizontal drain, DN 50	130 mm

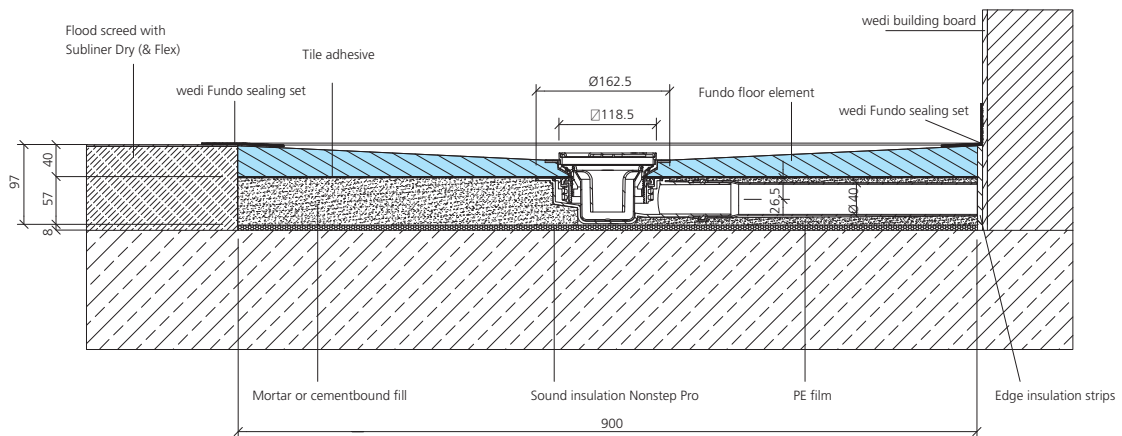


Classic system ■ Fundo Primo /Nautilo /Trollo/Borgo

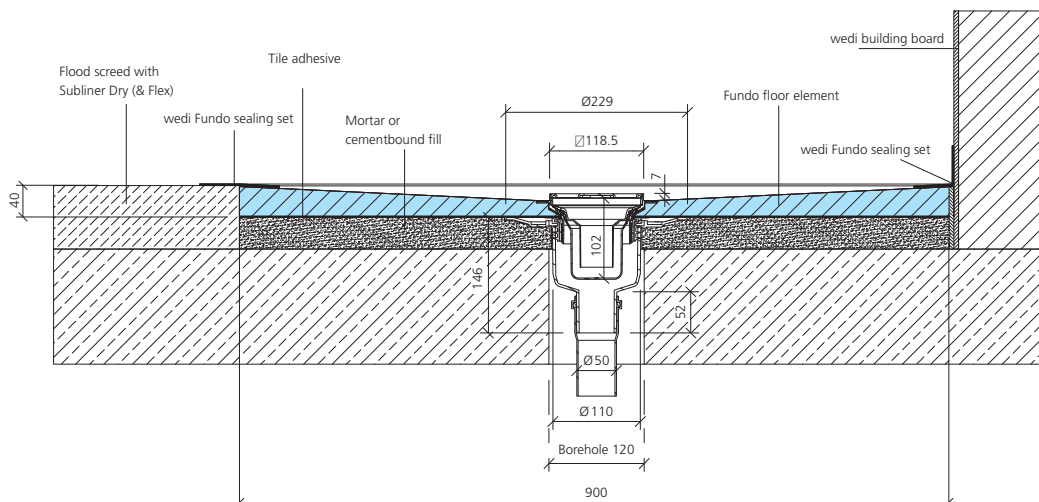
Fundo point drain, horizontal DN 50, screed floor



Fundo point drain, Mini Max DN 40, screed floor



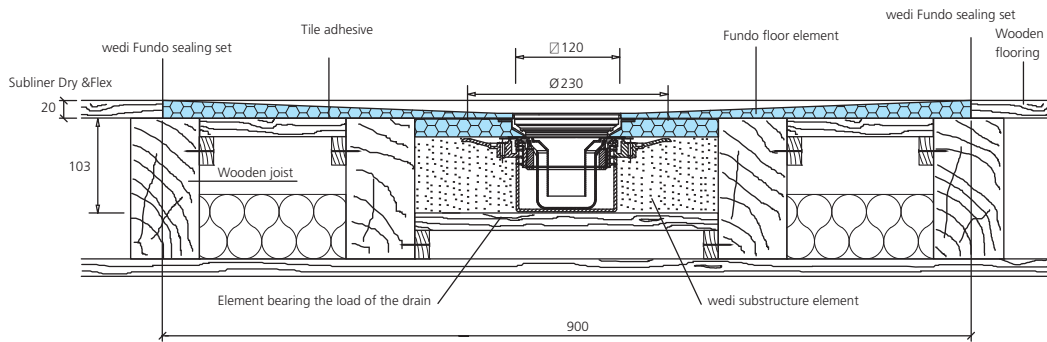
Fundo point drain, vertical DN 50, screed floor



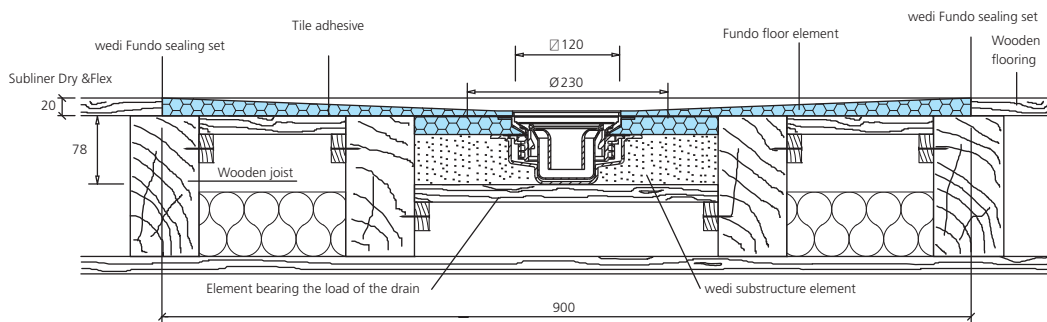
i The floor element Fundo Nautilo has a thickness of 50 mm.

Classic system ■ Fundo Ligno

Fundo point drain, horizontal DN 50, in timber floor

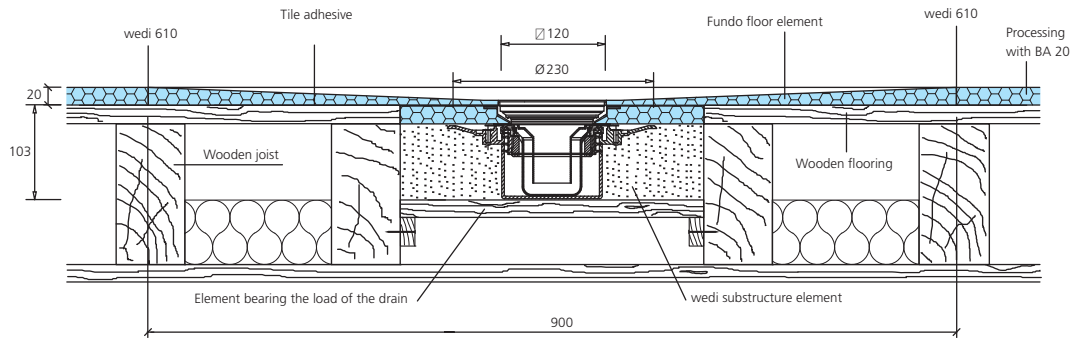


Fundo point drain, Mini Max DN 40, in timber floor

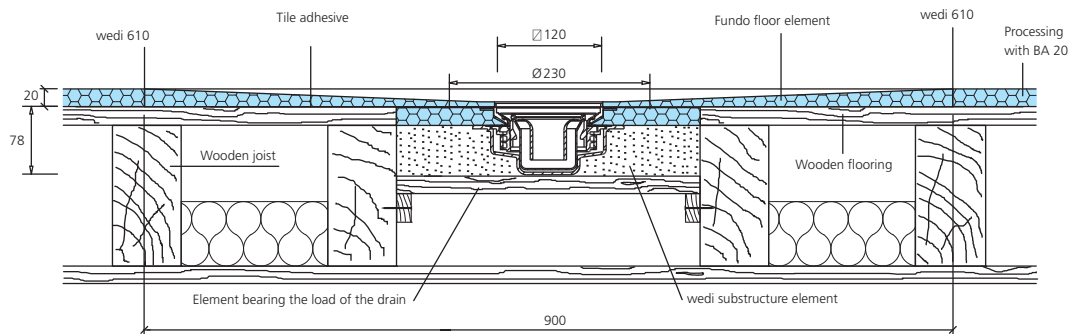


Classic system ■ Fundo Ligno

Fundo point drain, horizontal DN 50, on timber floor

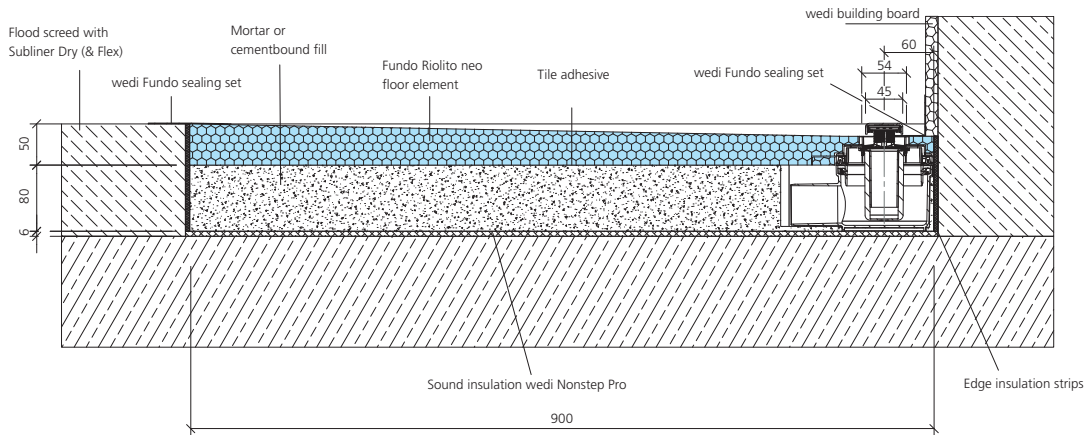


Fundo point drain, Mini Max DN 40, on timber floor

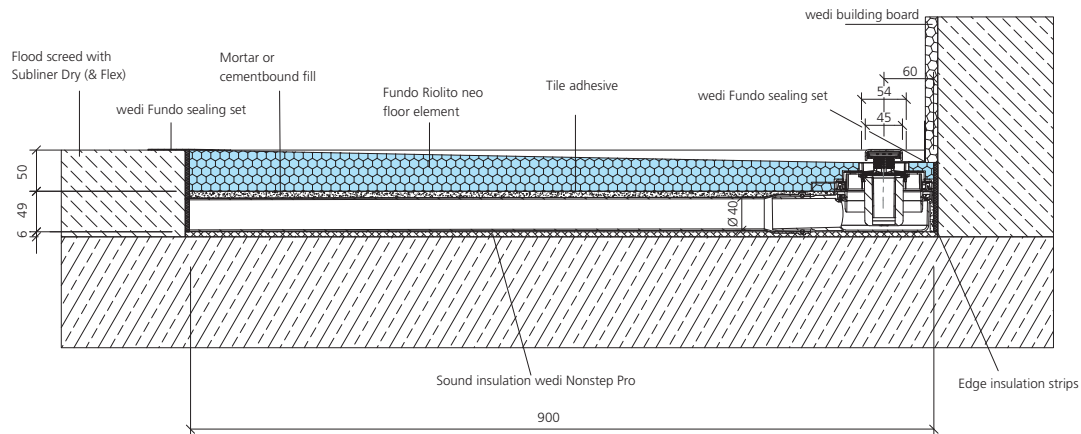


Classic system ■ Fundo Riolito neo

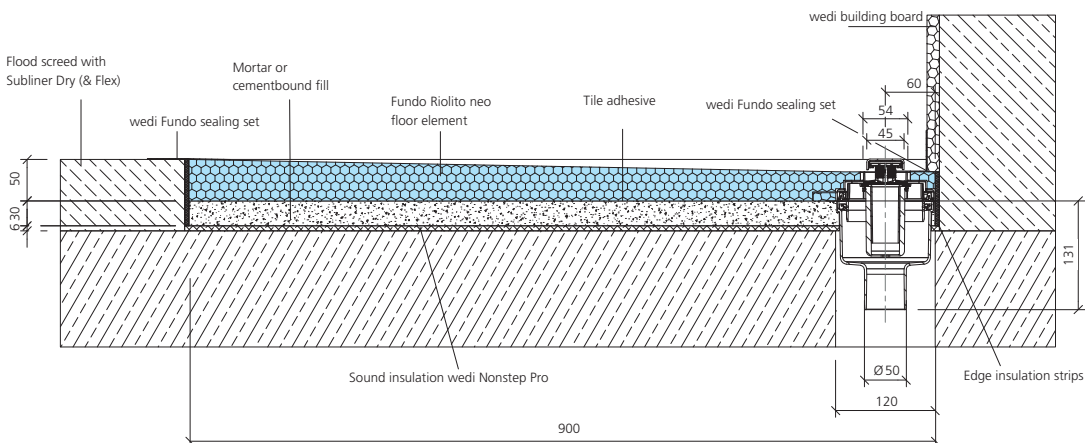
Fundo channel drain, horizontal DN 50, screed floor



Fundo channel drain, Mini Max DN 40, screed floor



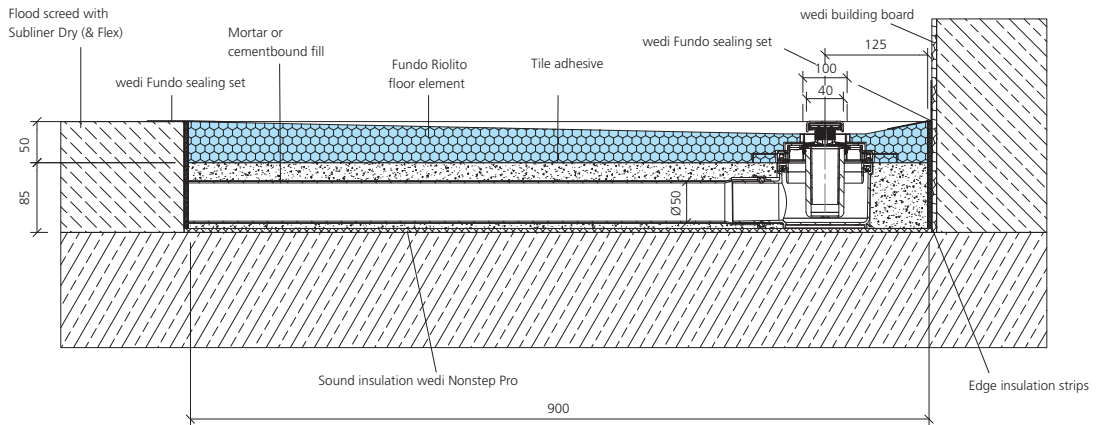
Fundo channel drain, vertical DN 50, screed floor



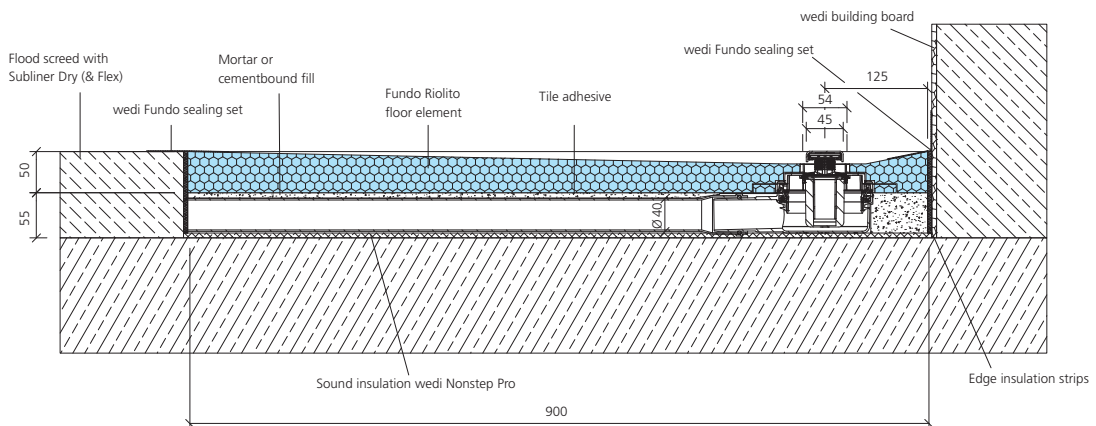
i You will find further technical drawings in the relevant assembly instructions and in the "Creation of flush-to-floor showers" brochure.

Classic system ■ Fundo Riolito

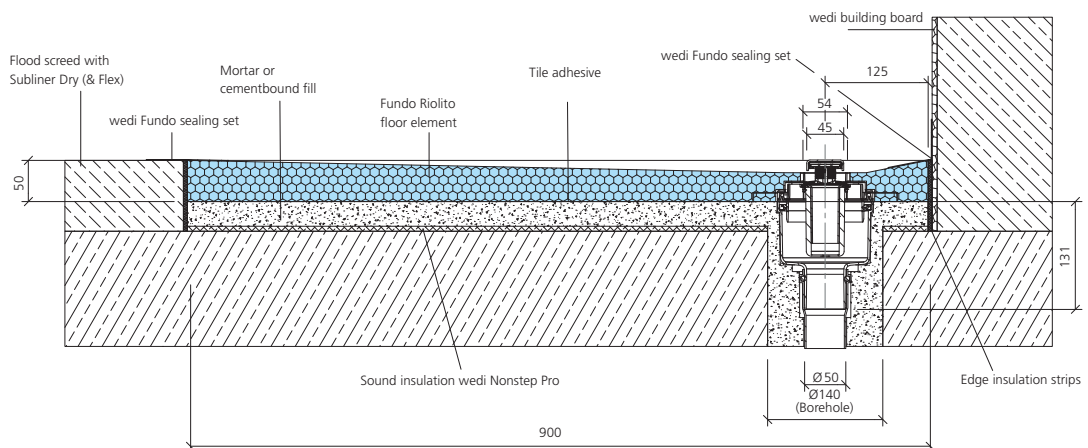
Fundo channel drain, horizontal DN 50, screed floor



Fundo channel drain, Mini Max DN 40, screed floor

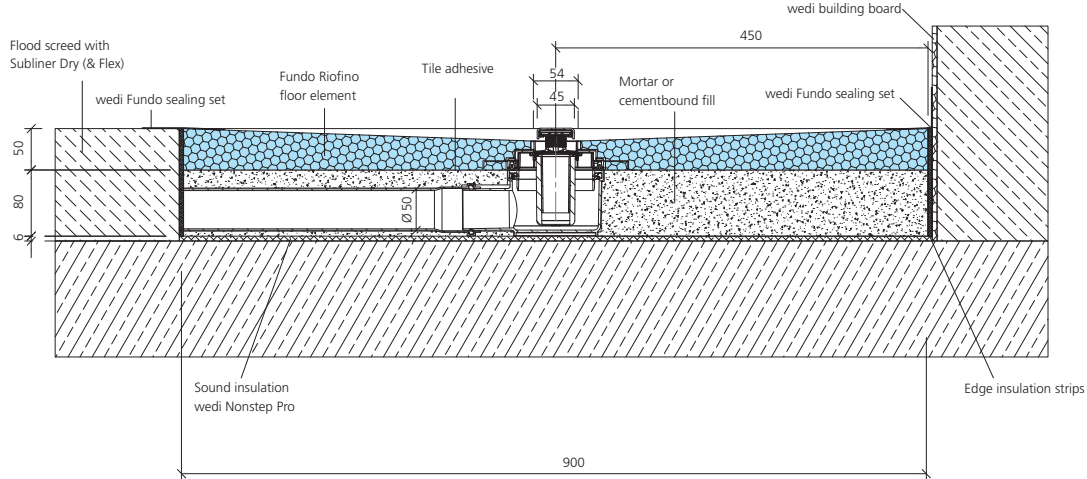


Fundo channel drain, vertical DN 50, screed floor

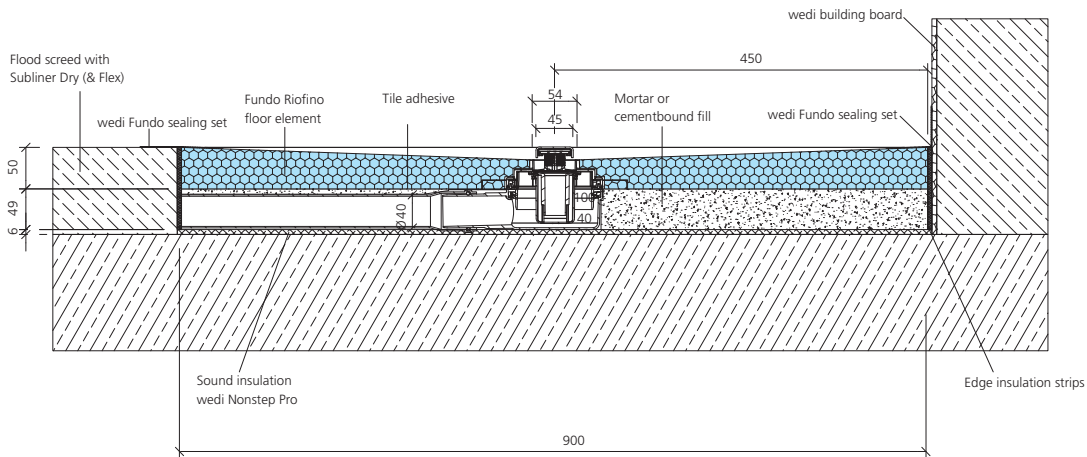


Classic system ■ Fundo Riofino

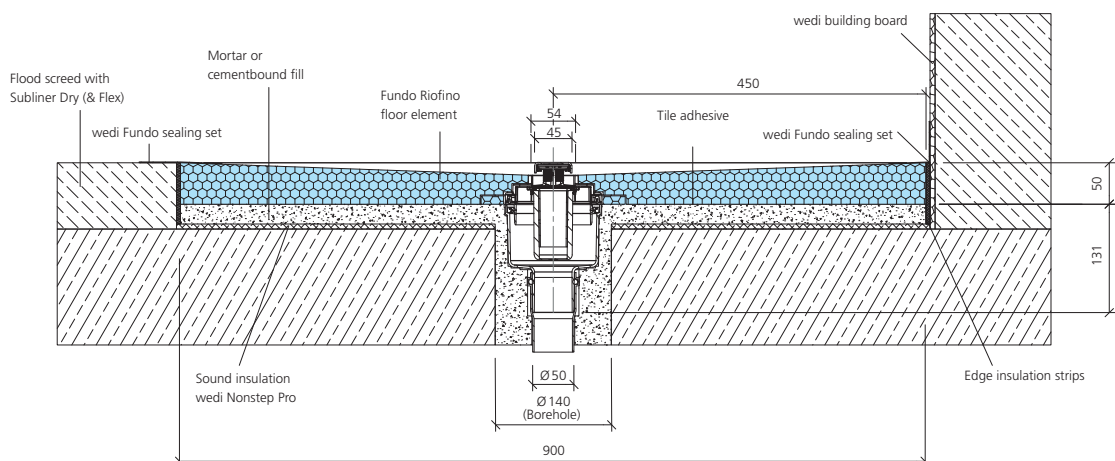
Fundo channel drain, horizontal DN 50, screed floor



Fundo channel drain, Mini Max DN 40, screed floor



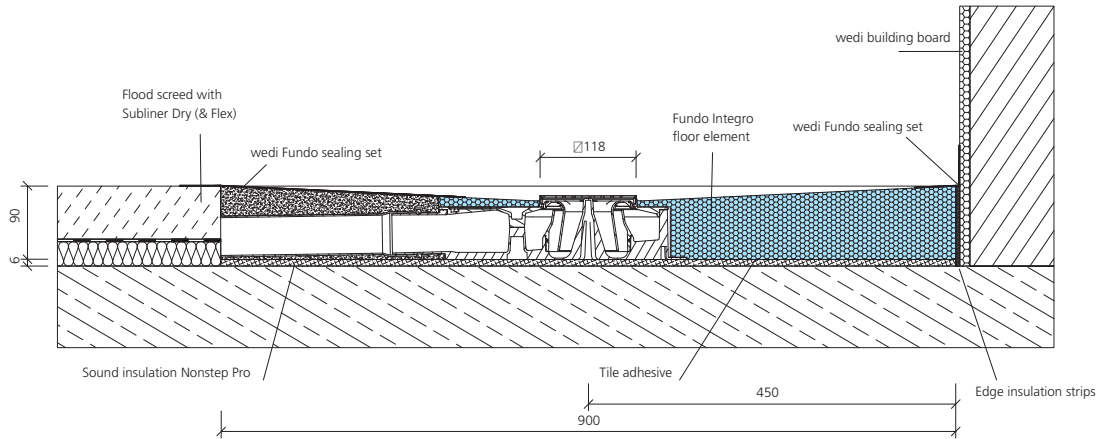
Fundo channel drain, vertical DN 50, screed floor



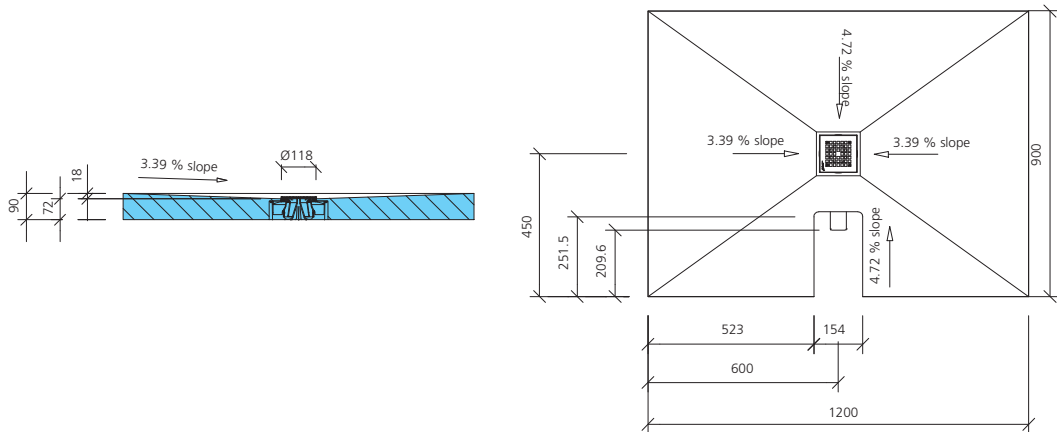
i You will find further technical drawings in the relevant assembly instructions and in the "Creation of flush-to-floor showers" brochure.

Complete system ■ Fundo Integro

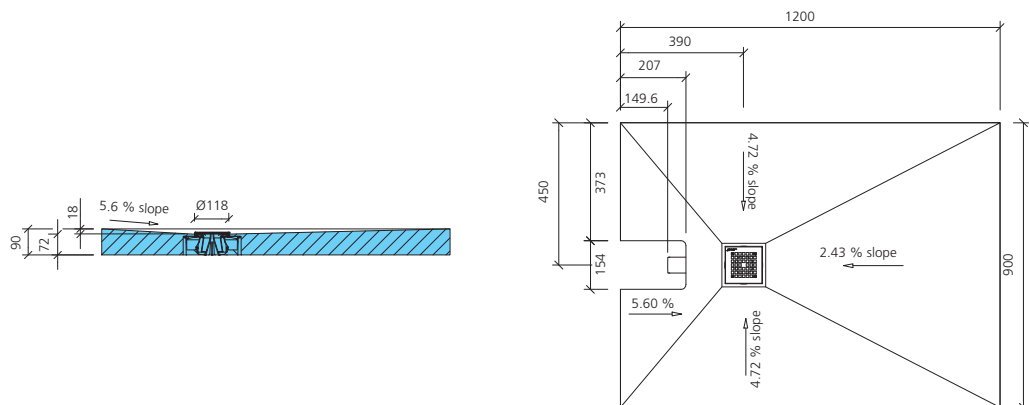
Fundo integrated point drain, horizontal DN 50, screed floor



Fundo Integro, complete system A, connection on the long side

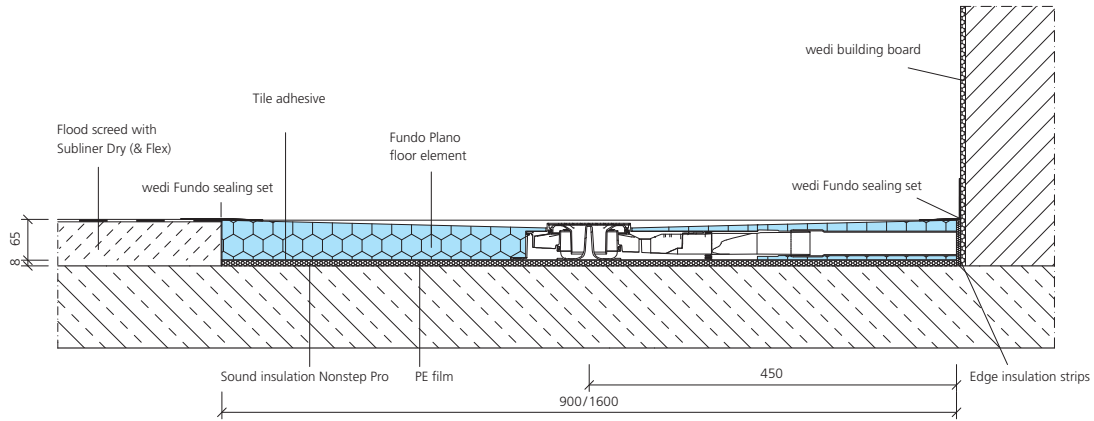


Fundo Integro, complete system B, connection on the short side

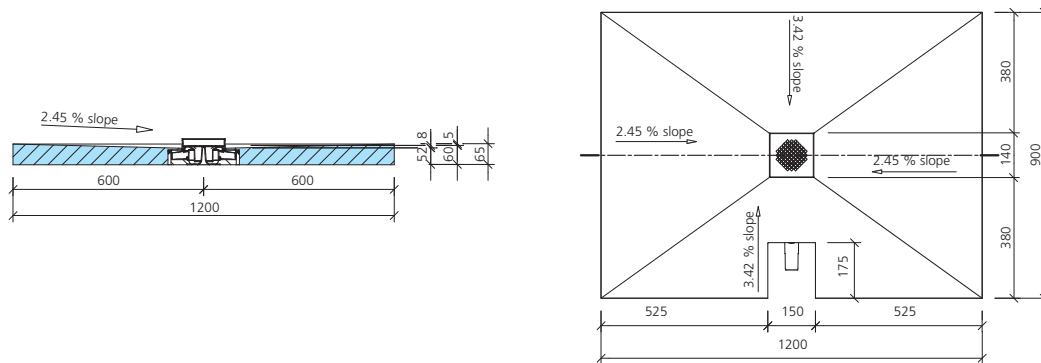


Complete system ■ Fundo Plano

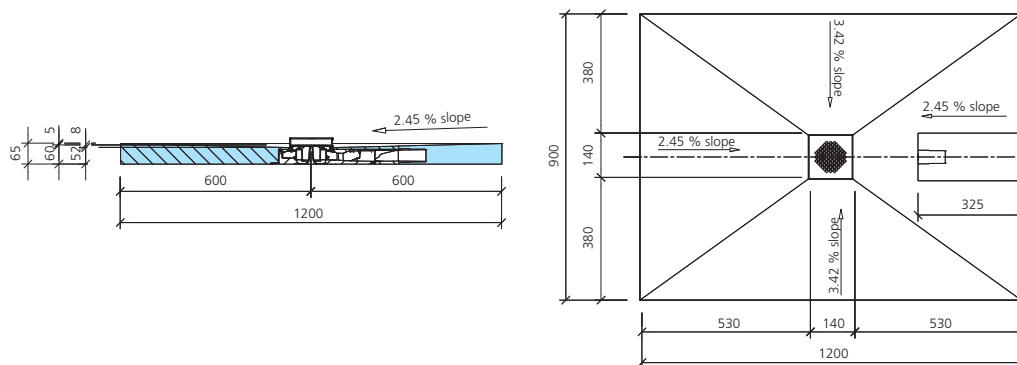
Fundo integrated point drain, horizontal DN 40, screed floor



Fundo Plano, complete system A, connection on the long side

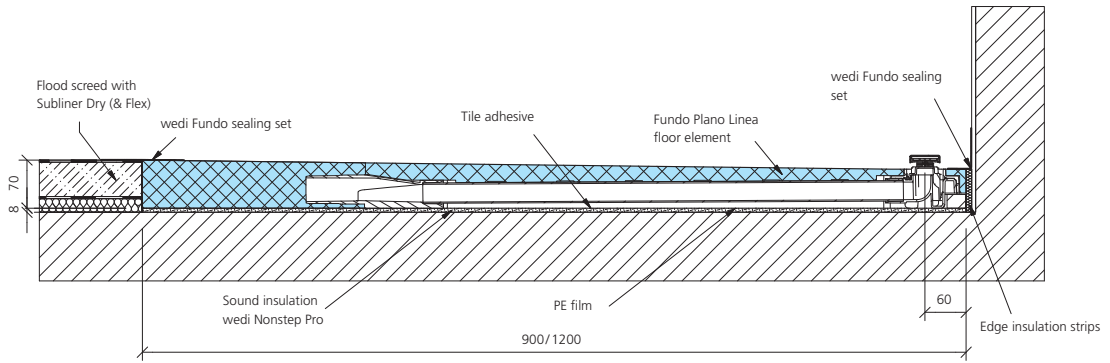


Fundo Plano, complete system B, connection on the short side

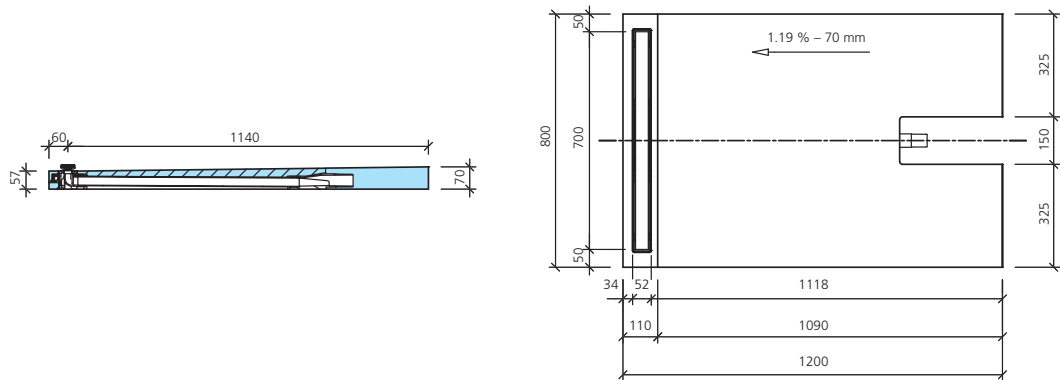


Complete system ■ Fundo Plano Linea

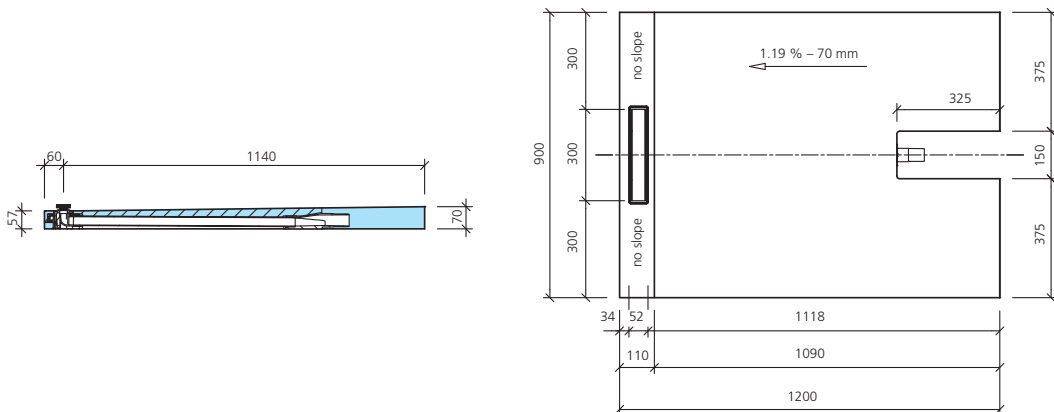
Fundo integrated channel drain, horizontal DN 40, screed floor



Fundo Plano Linea, floor element with channel drain

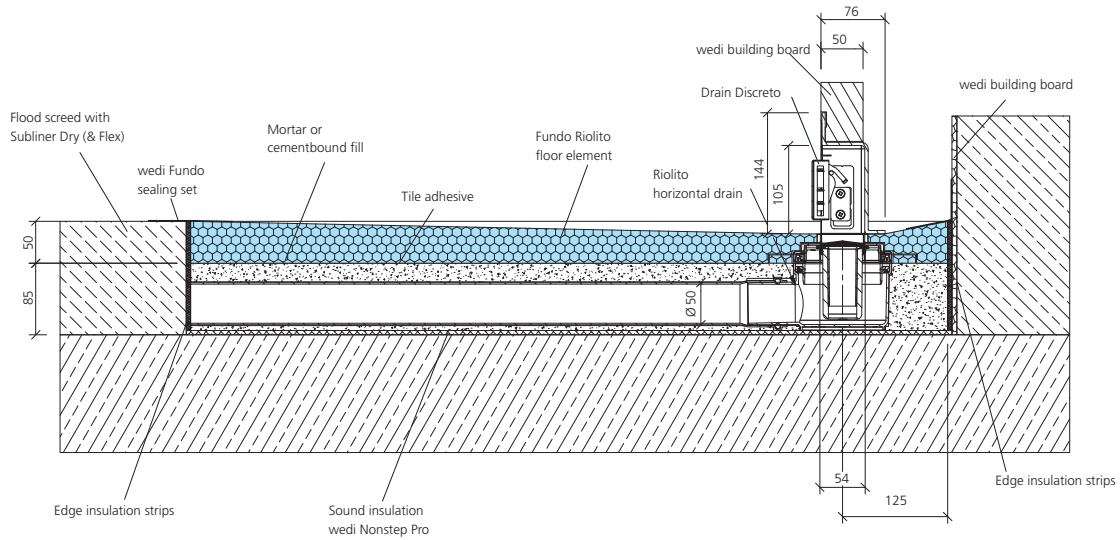


Fundo Plano Linea, floor element with short channel

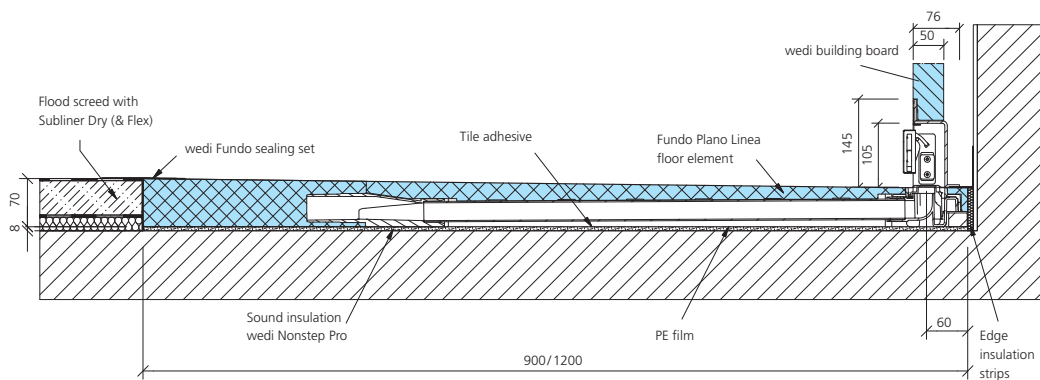


Optical wall drain ■ Fundo Discreto

Fundo Discreto wall drain, horizontal DN 50, screed floor



Fundo Discreto wall drain, Mini Max DN 40, screed floor



Technical properties

Raw foam building board systems	
Extruded polystyrene hard foam	XPS
Long-term compressive strength (50 years) \leq 2% compression EN 1606	0.08 N/mm ²
Compressive resistance or compressive strength at 10% compression EN 826	0.25 N/mm ²
Associated module of elasticity EN 826	10–18 N/mm ²
Thermal conductivity EN 13164	0.036 W/mK
Tensile strength EN 1607	0.45 N/mm ²
Shearing resistance EN 12090	0.2 N/mm ²
Shear modulus EN 12090	7 N/mm ²
Bulk density EN 1602	32 kg/m ³
Resistance to water vapour diffusion (μ) EN 12086	100
Water absorption under long-term immersion EN 12087	\leq 1.5 Vol.-%
Capillary action	0
Linear coefficient of thermal expansion	0.07 mm/mK
Temperature limits	-50/+75 °C
Fire behaviour EN 13501	E
Carbon dioxide propellant GWP value	1

Fundo system floor elements	
Wheelchair load-bearing from minimum tile size	50 x 50 mm
Glass mosaic from 3 mm, minimum size	20 x 20 mm
Waterproof tested	1.5 bar
Fire behaviour EN 13501	E

Fundo Primo / Tollo / Borgo / Nautilo	
Minimum foundation height depending on the drain: horizontal drain, DN 50	130 mm
Minimum foundation height depending on the drain: horizontal drain Mini Max, DN 40	97 mm
Minimum foundation height depending on the drains: vertical drain	40 mm
Surface slope (from outer edge of Fundo floor element to outer edge of drain opening) (exception: Fundo Nautilo, 28 mm surface slope)	18 mm

Fundo Ligno	
Minimum foundation height depending on the drain: horizontal drain, DN 50	130 mm
Minimum foundation height depending on the drain: horizontal drain Mini Max, DN 40	97 mm
Minimum foundation height depending on the drains: vertical drain	40 mm
Surface slope (from outer edge of Fundo floor element to outer edge of drain opening)	18 mm

Fundo Riolito neo / Riolito / Riofino	
Minimum foundation height depending on the drain: horizontal, DN 50	130 mm
Minimum foundation height depending on the drain: horizontal, Mini Max, DN 40	99 mm
Minimum foundation height depending on the drain: vertical drain, DN 50	50 mm
Surface slope (from outer edge of Fundo floor element to outer edge of drain opening)	15 mm

Fundo Integro	
Minimum foundation height	90 mm
Surface slope (from outer edge of Fundo Integro floor element to outer edge of drain opening)	≥ 1.5%
Frame with stainless steel grid (secured in the element)	120 × 120 × 4 mm
Stainless steel grid	115 × 115 mm
Extension frame	Ø 115 × 40 mm
Drainage rate	0.80 l/s ; 48.0 l/min
Connection pipe	DN 50

Fundo Plano	
Minimum foundation height	65 mm
Surface slope (from outer edge of Fundo Plano floor element to outer edge of drain opening)	≥ 2.4%
Frame with stainless steel grid (secured in the element)	136 × 136 × 8 mm
Stainless steel grid	132 × 132 mm
Extension frame	136 × 136 × 24.7 mm
Drainage rate	0.50 l/s ; 30.0 l/min
Connection pipe	DN 40

Fundo Plano Linea	
Total assembly height incl. integrated drainage	70 mm
Surface slope (from outer edge of Fundo Plano Linea floor element to outer edge of drain opening)	≥ 1.19 %
Adjustment range for stainless steel covers	5 –25 mm
The Fundo Plano Linea is available with channels in the following lengths	300 to 900 mm
Drainage rate	0.40 l/s ; 24.0 l/min
Connection pipe	DN 40



- Australia
- Austria
- Belgium
- Bosnia Herzegovina
- Canada
- Croatia
- Czech Republic

- Denmark
- Estonia
- Finland
- France
- Germany
- Great Britain
- Greece

- Hungary
- Iceland
- Ireland
- Italy
- Latvia
- Lithuania
- Luxembourg

- Netherlands
- Norway
- Poland
- Portugal
- Romania
- Russia
- Serbia

- Slovenia
- Spain
- Sweden
- Switzerland
- Turkey
- Ukraine
- USA



wedi GmbH
Hollefeldstraße 51
48282 Emsdetten
Germany

Telephone +49 2572 156-0
Fax +49 2572 156-133

info@wedi.de
www.wedi.eu

wedi Systems (UK) Ltd
Unit 4 Mercury Park · Mercury Way
Trafford Park · M41 7LY
Great Britain

Telephone +44 161 864 2336
Fax +44 161 864 1323

info@wedi.co.uk
www.wedi.co.uk

